

VET - Válvula de Esfera Tripartida Classe 300 Para Tubo OD

Normas de Referência

Construção

BSI BS EN ISO 17292
ASME B16.34

Testes

API 598

Conexões

Solda SWO
Solda BWO
TC
RJT

Materiais

Corpo e Tampas

ASTM A 216 - WCB
ASTM A 351 - CF8
ASTM A 351 - CF8M

Esfera

ASTM A 351 - CF8
ASTM A 351 - CF8M
ASTM A 217 - CA 15
ICI 416
ASTM B16 - C360

Vedações

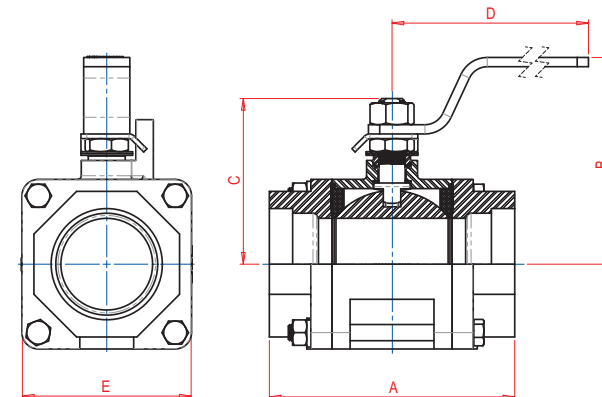
PTFE
COMP L

Haste

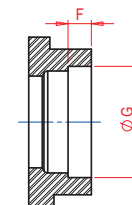
ASTM A 276 - 304
ASTM A 276 - 316
SAE 1020
ASTM A 276 - 410
ASTM A 582 - 416



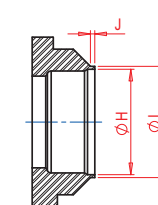
Desenho Técnico



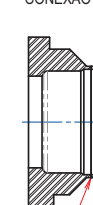
ENCAIXE DE SOLDA SWO



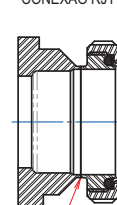
ENCAIXE DE SOLDA BWO



ENCAIXE DE SOLDA BWO CONEXÃO TC



ENCAIXE DE SOLDA BWO CONEXÃO RJT



VÁLVULA DE ESFERA TRIPARTIDA PASSAGEM REDUZIDA (PR)																	
BITOLA POL.	DN	PASS.	A				B	C	D	E	F	G	H	I	J	PESO kg	Coeficiente de Fluxo Kv (m ³ /h)
			SWO	BWO	TC	RJT											
1/2"	8	11,1	59,0	59,0	84,4	••	46,0	39,0	125,0	44,0	9,5	12,9	11,0	12,9	2,0	0,520	5,0
3/4"	75	11,1	59,0	59,0	84,4	••	46,0	39,0	125,0	44,0	12,5	19,2	17,0	19,2	2,0	0,490	5,0
1"	20	14,0	68,2	68,2	93,6	135,4	48,0	41,0	125,0	48,0	12,5	25,6	23,0	25,6	2,0	0,610	9,8
1.1/4"	25	20,4	85,6	85,6	••	••	82,0	51,0	156,0	57,0	12,5	31,9	28,9	31,9	2,0	1,050	18,7
1.1/2"	32	25,4	96,0	96,0	121,4	163,2	86,0	60,0	156,0	64,0	12,5	38,1	35,1	38,1	2,0	1,400	42,0
2"	40	31,7	105,7	105,7	131,1	172,9	110,0	73,0	170,0	73,0	16,0	50,8	47,8	50,8	3,0	2,200	72,0
2.1/2"	50	38,0	116,5	116,5	141,9	183,7	113,0	77,0	170,0	82,0	16,0	63,7	60,7	63,7	3,0	2,900	107,0
3"	65	50,8	131,8	131,8	157,2	199,0	125,0	86,0	256,0	94,0	16,0	76,4	73,4	76,4	3,0	4,650	185,0

VÁLVULA DE ESFERA TRIPARTIDA PASSAGEM PLENA (PP)																	
BITOLA POL.	DN	PASS.	A				B	C	D	E	F	G	H	I	J	PESO kg	Coeficiente de Fluxo Kv (m ³ /h)
			SWO	BWO	TC	RJT											
3/8"	8	11,1	62,0	62,0	••	••	46,0	39,0	125,0	44,0	9,5	9,6	7,53	9,53	2,0	0,540	5,0
1/2"	8	11,1	59,0	59,0	84,4	••	46,0	39,0	125,0	44,0	9,5	12,9	11,0	12,9	2,0	0,540	5,0
3/4"	15	14,0	68,2	68,2	93,6	••	48,0	41,0	125,0	48,0	12,5	19,2	17,2	19,2	2,0	0,650	14,6
1"	20	20,4	85,6	85,6	111,0	152,8	82,0	51,0	156,0	57,0	12,5	25,6	23,0	25,6	2,0	1,130	27,8
1.1/4"	25	25,4	98,0	98,0	••	••	86,0	60,0	156,0	64,0	12,5	31,9	28,9	31,9	2,0	1,600	56,5
1.1/2"	32	31,7	113,7	113,7	139,1	180,9	110,0	73,0	170,0	73,0	12,5	38,1	35,1	38,1	2,0	2,550	104,0
2"	40	38,0	116,5	116,5	141,9	183,7	113,0	77,0	170,0	82,0	16,0	50,8	47,8	50,8	3,0	3,300	161,0
2.1/2"	50	50,8	131,8	131,8	157,2	199,0	125,0	86,0	256,0	94,0	16,0	63,7	60,7	63,7	3,0	5,200	278,0
3"	65	63,0	168,5	168,5	193,9	235,7	145,0	116,0	267,0	116,0	16,0	76,4	73,4	76,4	3,0	9,380	460,0

Especificações Técnicas

Válvula de bloqueio de fluxo Classe 300, indicada para utilização em diversos líquidos, gases e vapores em ampla faixa de temperatura e pressão, conforme norma ASME B16.34.

Construção tripartida (um corpo e duas tampas), facilitando a manutenção sem a necessidade de desconectar as extremidades da linha.

Haste à prova de expulsão.

Disponível com conexão sanitária TC ou RJT.

De fácil aplicação para trava de cadeado.

* Outros tipos de conexão sob consulta.