

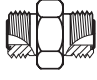
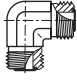
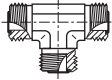
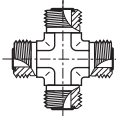
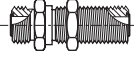
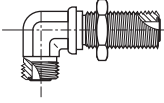
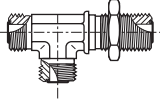
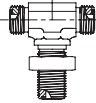
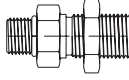
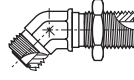

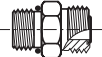
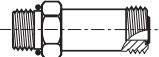
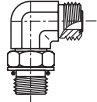
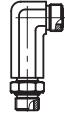
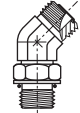
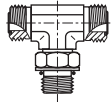
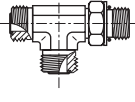
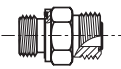
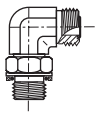
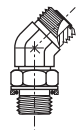
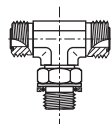
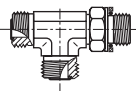
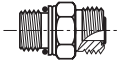
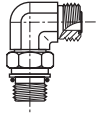
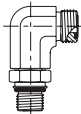
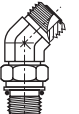
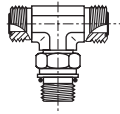
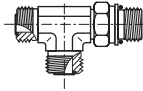
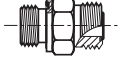
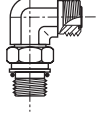
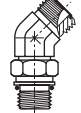
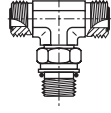
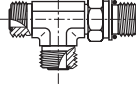
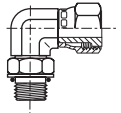
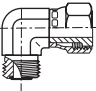
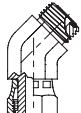
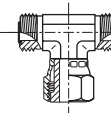
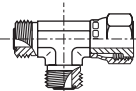


TECNI-AR
Seu caminho
Para automação

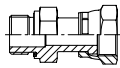
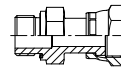
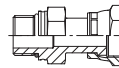
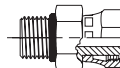

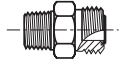
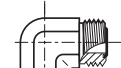




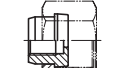
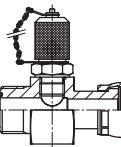
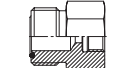
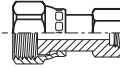
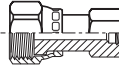





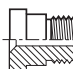
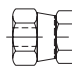
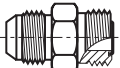
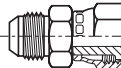

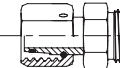
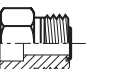



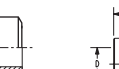



O-Lok[®] *O-Ring face seal tube fittings*



Visual index

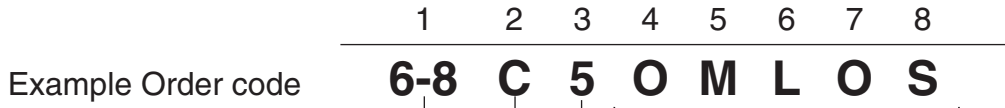
Tube-Tube unions							
	HMLO p. J9	EMLO p. J10	JMLO p. J11	KLO p. J12			
Bulkhead unions							
	WMLO p. J13	WEMLO p. J14	WJJLO p. J17	WJLO p. J16	WF5OLO p. J29	WNLO p. J15	WLNML p. J72
Tube to UNF thread							
	F5OMLO p. J27	FF5OMLO p. J28	C5OMLO p. J39	CC5OLO p. J40	V5OMLO p. J45	S5OMLO p. J49	R5OMLO p. J53
Tube to BSPP thread							
	F42EDMLO p. J30	C4OMLO p. J41	V4OMLO p. J46	S4OMLO p. J50	R4OMLO p. J54		
Tube to metric ISO 6149-2 thread							
	F87OMLO p. J26	C87OMLO p. J37	CC87OMLO p. J38	V87OMLO p. J44	S87OMLO p. J48	R87OMLO p. J52	
Tube to metric thread							
	F82EDMLO p. J31	C8OMLO p. J42	V8OMLO p. J47	S8OMLO p. J51	R8OMLO p. J55		
Swivel fittings							
	AOEL6 p. J18	C6MLO p. J19	V6LO p. J20	S6MLO p. J21	R6MLO p. J22		

Visual index

Swivel nut to straight thread	 BSPP F642EDML p. J35	 Metric F682EDML p. J36	 ISO Metric F687OML p. J33	 UNF F65OL p. J34	 HL6 p. J25									
Tube to NPTF thread	 FLO p. J32	 CLO p. J43	<p>Taper threads should not be used for new projects or designs. Parker Hannifin recommends elastomerically sealed components.</p>											
Bleed adapters	 FNLBA p. J69	 PNLOBA p. J70	 NPTF HPBA p. J71	 UNF P5ONBA p. J71										
Test point and gauge adapters	 TTP4ML p. J60	 R6P4MLO p. J61	 G4MLOSOMO p. J57	 TT4ML p. J58	 TT8ML p. J59	 G87MLO p. J56								
Sleeves for metric and inch tube	 TPL p. J6	 TL p. J7	 TL Reducing Braze Sleeve p. J8	<p>Nuts, Reducers & Expanders</p>  BML/BL p. J5			 TRMLO p. J23	 LOHL6 p. J24						
Conversion adapters	 XHML0 p. J65	 XHML6 p. J66	 LOHMX6 p. J67	 LOHU86 p. J68										
Accessories	<p style="text-align: right;">Flange Seal Components</p>  LOHB3 p. J62							 FNML p. J63	 PNML0 p. J64	 O-ring p. J73-74	 SBR Braze ring p. J75	 TW3L p. J72	 LHP p. J76	 PLS p. J76

J

How to order O-Lok® fittings



1 Order codes for tube and port thread ends

Dash Size	Tube Size (Inch)	Tube Size (mm)	Port Thread Size (Inch) BSPP/BSPT/NPT	Port Thread Size UN / UNF
4	1/4	6	1/4	7/16-20
5				1/2-20
6	3/8	8,10	3/8	9/16-18
8	1/2	12	1/2	3/4-16
10	5/8	14,15,16	5/8	7/8-14
12	3/4	18,20	3/4	1 1/6-12
14				1 3/6-12
16	1	25	1	1 5/6-12
20	1 1/4	28,30,32	1 1/4	1 5/8-12
24	1 1/2	35,38	1 1/2	1 7/8-12
32	2	50	2	2 1/2-12

Metric port threads are shown as per example 4M12C87OMLOS

3 Threads and sealing methods

Code	Description
None	NPT/NPTF Thread
3	BSPT Thread
4	BSPP Thread O-Ring & Retainer Ring
42	BSPP Thread EOLASTIC seal 'ED'
5	UN/UNF Thread (O-Ring Seal)
8	Metric Thread O-Ring & Retainer Ring
82	Metric Thread EOLASTIC seal 'ED'
87	Metric ISO 6149 Thread (O-Ring Seal)
63	Swivel Connector BSPT end
64	Swivel Connector BSPP end (O-Ring & Retainer Ring)
642	Swivel Connector BSPP end (EOLASTIC Seal 'ED')
65	Swivel Connector UN/UNF end (O-Ring seal)
68	Swivel Connector Metric end (O-Ring & Retainer Ring)
682	Swivel Connector Metric end (EOLASTIC Seal 'ED')
687	Swivel Connector Metric ISO 6149 end

2 Codes for fitting styles/shapes

Code	Description
AE6	Straight Thread Swivel
B	Nut
C	Male Stud elbow
CC	Extended Male Stud elbow
C6	Swivel Nut Elbow
E	Union elbow
F	Male Stud connector
FF	Extended Male Stud connector
F6	Male Stud Swivel
FN	Cap
FNLBAS	Bleed Adapter Cap
G	Female Connector
H	Straight union
H6	Swivel/Swivel Adapter
J	Union Tee
K	Union Cross
LOHB3	Braze Adapter
LOHX6	Triple-Lok® Swivel/O-Lok® adaptor
M	Female Run Tee
O	Female Branch Tee
PN	Plug
PNLOBA	Bleed Adapter Plug
R	Male Stud Run Tee
R6	Swivel Run Tee
S	Male Stud Branch Tee
S6	Swivel Branch Tee
SBR	Braze Ring
TPL	Parflange® sleeve
TL	Brazed sleeve
TR	Tube End Reducer
TT	Test Point Adapter
TW3	Weld Nipple
V	45° male stud elbow
V6	Swivel Nut 45° Elbow
W	Bulkhead Union
WE	Bulkhead Union Elbow
WJJ	Bulkhead Run Tee
WJT	Bulkhead Branch Tee
WLNML	Bulkhead Locknut
WN	Bulkhead 45° union elbow
XHL6	Triple Lok®/Swivel O-Lok® adaptor
XHLO	Triple Lok®/O-Lok® male adaptor

4 Stud connector seal

Code	Description
O	O-Ring Seal (Assembled on fitting)
ED	Captive EOLASTIC Seal (Assembled on fitting)
No Code	No Seal (O-Ring not assembled on fitting)

5 Hexagon/ Across flats style

Code	Description
M	Metric Hexagon Dimension
No Code	Inch Hexagon Dimension

6 Fitting type

Code	Description
L	Parker O-Lok®

7 Tube connection seal ORFS

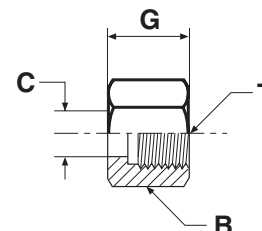
Code	Description
O	O-Ring Seal (Assembled on Fitting)
No Code	No Seal/O-Ring

8 Fitting material

Code	Description
S	Steel
SS	Stainless Steel
B	Brass

BML Nut

O-Lok® ORFS tube nut
SAE 52M0110 ISO 8434-3 NA

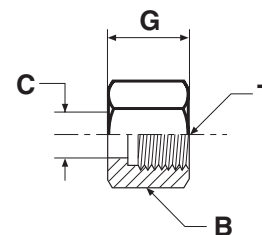


Tube O.D.		Thread UN/UNF-2B T	B mm	C mm	G mm	Weight (steel) g/1 piece	O-Lok® Steel	O-Lok® Stainless Steel
mm	in.							
6	1/4	9/16-18	17	11	15	14	4BMLS	4BMLSS
8, 10	5/16, 3/8	11/16-16	22	14	17	17	6BMLS	6BMLSS
12	1/2	13/16-16	24	17	20	29	8BMLS	8BMLSS
14, 15, 16	5/8	1-14	30	21	24	46	10BMLS	10BMLSS
18, 20	3/4	1 3/16-12	36	24	27	69	12BMLS	12BMLSS
22, 25	1	1 7/16-12	41	29	28	109	16BMLS	16BMLSS
28, 30, 32	1 1/4	1 11/16-12	50	36	28	126	20BMLS	20BMLSS
35, 38	1 1/2	2-12	60	44	28	195	24BMLS	24BMLSS
50	2	2 1/2-12	75	56	33	800	32BMLS	32BMLSS

Part numbers shown are part of our current manufacturing programme.

BL Nut

O-Lok® ORFS tube nut
SAE 520110

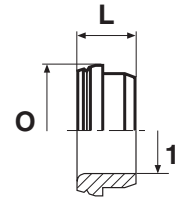


Tube O.D.		Thread UN/UNF-2B T	B in.	C mm	G mm	Weight (steel) g/1 piece	O-Lok® Steel	O-Lok® Stainless Steel
mm	in.							
6	1/4	9/16-18	11/16	10	15	16	4 BL-S	4 BL-SS
8, 10	5/16, 3/8	11/16-16	13/16	14	17	24	6 BL-S	6 BL-SS
12	1/2	13/16-16	15/16	17	21	37	8 BL-S	8 BL-SS
14, 15, 16	5/8	1-14	1 1/8	21	24	52	10 BL-S	10 BL-SS
18, 20	3/4	1 3/16-12	1 3/8	24	26	89	12 BL-S	12 BL-SS
22, 25	1	1 7/16-12	1 5/8	29	28	119	16 BL-S	16 BL-SS
28, 30, 32	1 1/4	1 11/16-12	1 7/8	36	28	132	20 BL-S	20 BL-SS
35, 38	1 1/2	2-12	2 1/4	44	28	220	24 BL-S	24 BL-SS
50	2	2 1/2-12	2 7/8	56	33	700	32 BL-S	32 BL-SS

Part numbers shown are part of our current manufacturing programme.

TPL Sleeve metric tubing

O-Lok® ORFS Parflange® tube sleeve

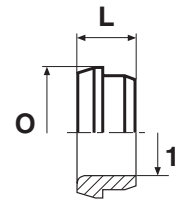


Tube O.D. 1 mm	L mm	O mm	Weight (steel) g/1 piece	O-Lok® Steel	O-Lok® Stainless Steel
6	7.5	13	4	TPLS6	TPLSS6
8	8.5	16	4	TPLS8	TPLSS8
10	8.5	16	5	TPLS10	TPLSS10
10	10.5	19	6	TPLS12-10	TPLSS12-10
12	11.0	19	6	TPLS12	TPLSS12
14	10.5	23	10	TPLS14	TPLSS14
15	10.5	23	9	TPLS15	TPLSS15
16	10.5	23	8	TPLS16	TPLSS16
18	12.0	28	14	TPLS18	TPLSS18
20	12.0	28	15	TPLS20	TPLSS20
22	13.5	34	20	TPLS22	TPLSS22
25	13.5	34	23	TPLS25	TPLSS25
28	13.0	41	24	TPLS28	TPLSS28
30	13.0	41	25	TPLS30	TPLSS30
32	13.0	41	26	TPLS32	TPLSS32
35	12.5	48	36	TPLS35	TPLSS35
38	12.5	48	44	TPLS38	TPLSS38
50	14.0	61	180	TPLS50	TPLSS50

Part numbers shown are part of our current manufacturing programme.

TPL Sleeve inch tubing

O-Lok® ORFS Parflange® tube sleeve



Tube O.D. 1 in.	L mm	O mm	Weight (steel) g/1 piece	O-Lok® Steel	O-Lok® Stainless Steel
1/4	8	13	4	4 TPL-S	4 TPL-SS
3/8	9	16	5	6 TPL-S	6 TPL-SS
1/2	11	19	6	8 TPL-S	8 TPL-SS
5/8	11	23	11	10 TPL-S	10 TPL-SS
3/4	12	28	19	12 TPL-S	12 TPL-SS
7/8	14	34	19	14 TPL-S	14 TPL-SS
1	14	34	22	16 TPL-S	16 TPL-SS
1 1/4	13	41	28	20 TPL-S	20 TPL-SS
1 1/2	13	48	44	24 TPL-S	24 TPL-SS
2	14	61	180	32 TPL-S	32 TPL-SS

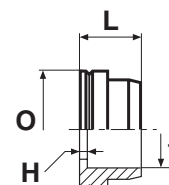
Part numbers shown are part of our current manufacturing programme.

TL* Braze sleeve metric tubing

O-Lok® ORFS silver braze tube sleeve

SAE 52M0115 ISO 8434-3 BRSL

(*Parts delivered oil dipped finish only – steel)



ORFS dash size	Tube O.D. 1 mm	H mm	L mm	O mm	Weight (steel) g/1 piece	O-Lok® Steel	O-Lok® Stainless Steel
4	6	1	10	13	5	TLS6	TLSS6
4	8	1	10	13	5	TLS6-8	TLSS6-8
6	8	2	10	16	7	TLS10-8	TLSS10-8
6	10	1	10	16	7	TLS10	TLSS10
8	12	1	10	19	10	TLS12	TLSS12
10	15	2	11	23	16	TLS16-15	TLSS16-15
10	16	2	11	23	16	TLS16	TLSS16
12	18	2	14	28	26	TLS20-18	TLSS20-18
12	20	2	14	28	21	TLS20	TLSS20
16	22	2	16	34	33	TLS25-22	TLSS25-22
16	25	2	16	34	30	TLS25	TLSS25
20	28	2	16	41	41	TLS32-28	TLSS32-28
20	30	2	16	41	42	TLS32-30	TLSS32-30
20	32	2	16	41	40	TLS32	TLSS32
24	35	2	16	49	48	TLS38-35	TLSS38-35
24	38	2	16	49	63	TLS38	TLSS38
32	50	2	16	60	210	TLS50	TLSS50

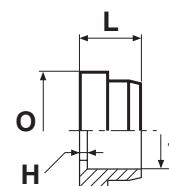
Part numbers shown are part of our current manufacturing programme.

TL* Braze sleeve inch tubing

O-Lok® ORFS silver braze tube sleeve

SAE 520115

(*Parts delivered oil dipped finish only – steel)

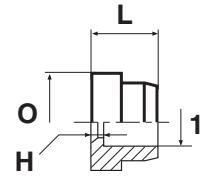


Tube O.D. 1 in.	H mm	L mm	O mm	Weight (steel) g/1 piece	O-Lok® Steel	O-Lok® Stainless Steel
1/4	1	10	13	5	4 TL-S	4 TL-SS
3/8	1	10	16	6	6 TL-S	6 TL-SS
1/2	1	10	19	10	8 TL-S	8 TL-SS
5/8	2	11	23	18	10 TL-S	10 TL-SS
3/4	2	14	28	26	12 TL-S	12 TL-SS
1	2	16	34	33	16 TL-S	16 TL-SS
1 1/4	2	16	41	42	20 TL-S	20 TL-SS
1 1/2	2	16	49	63	24 TL-S	24 TL-SS
2	2	17	61	210	32 TL-S	32 TL-SS

Part numbers shown are part of our current manufacturing programme.

TL* Reducing braze sleeve inch tubing

O-Lok® ORFS silver braze tube sleeve
 SAE 520115
 (*Parts delivered oil dipped finish only – steel)

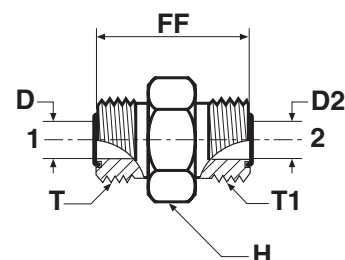


ORFS dash size	Tube O.D. 1 in.	H mm	L mm	O mm	Weight (Steel) g/1 piece	O-Lok® Steel	O-Lok® Stainless Steel
6	1/4	2	10	16	10	6-4 TL-S	6-4 TL-SS
8	1/4	4	12	19	17	8-4 TL-S	8-4 TL-SS
8	3/8	4	12	19	17	8-6 TL-S	8-6 TL-SS
10	1/4	5	14	23	37	10-4 TL-S	10-4 TL-SS
10	3/8	5	14	23	32	10-6 TL-S	10-6 TL-SS
10	1/2	5	14	23	28	10-8 TL-S	10-8 TL-SS
12	1/4	6	15	28	54	12-4 TL-S	12-4 TL-SS
12	3/8	6	15	28	49	12-6 TL-S	12-6 TL-SS
12	1/2	6	15	28	44	12-8 TL-S	12-8 TL-SS
12	5/8	6	15	28	39	12-10 TL-S	12-10 TL-SS
12	7/8	2	17	28	25	12-14 TL-S	12-14 TL-SS
16	1/2	7	16	34	76	16-8 TL-S	16-8 TL-SS
16	5/8	7	16	34	71	16-10 TL-S	16-10 TL-SS
16	3/4	5	17	34	66	16-12 TL-S	16-12 TL-SS
16	7/8	3	17	34	50	16-14 TL-S	16-14 TL-SS
20	3/4	7	20	41	102	20-12 TL-S	20-12 TL-SS
20	1	7	21	41	79	20-16 TL-S	20-16 TL-SS
24	1	7	21	49	141	24-16 TL-S	24-16 TL-SS
24	1 1/4	7	21	49	107	24-20 TL-S	24-20 TL-SS

Part numbers shown are part of our current manufacturing programme.

HMLO Union

O-Lok® ORFS tube ends
SAE 520101



Tube 1 O.D.		Tube 2 O.D.		Thread UN/UNF-2A T	Thread UN/UNF-2A T1	D	D2	FF	H	Weight (steel) g/1 piece	O-Lok® Steel	O-Lok® Stainless Steel	PN (bar)	
mm	in.	mm	in.			mm	mm	mm	mm				S	SS
6	1/4	6	1/4	9/16-18	9/16-18	5	5	27	17	26	4 HLO-S	4HMLOSS	630	630
8, 10	5/16, 3/8	8, 10	5/16, 3/8	11/16-16	11/16-16	7	7	31	19	49	6HMLOS	6HMLOSS	630	630
10	3/8	6	1/4	11/16-16	9/16-18	7	5	30	19	45	6-4HMLOS	6-4HMLOSS	630	630
12	1/2	12	1/2	13/16-16	13/16-16	10	10	35	22	77	8HMLOS	8HMLOSS	630	630
12	1/2	10	3/8	13/16-16	11/16-16	10	7	34	22	67	8-6 HLO-S	8-6HMLOSS	630	630
14, 15, 16	5/8	14, 15, 16	5/8	1-14	1-14	13	13	43	27	129	10HMLOS	10HMLOSS	420	420
16	5/8	12	1/2	1-14	13/16-16	13	10	40	27	112	10-8 HLO-S	10-8HMLOSS	420	420
18, 20	3/4	18, 20	3/4	1 3/16-12	1 3/16-12	16	16	47	32	204	12HMLOS	12HMLOSS	420	420
20	3/4	16	5/8	1 3/16-12	1-14	16	13	46	32	186	12-10HMLOS	12-10HMLOSS	420	420
22, 25	1	22, 25	1	1 7/16-12	1 7/16-12	21	21	49	41	291	16HMLOS	16HMLOSS	420	420
25	1	18, 20	3/4	1 7/16-12	1 3/16-12	21	16	49	41	285	16-12HMLOS	16-12HMLOSS	420	420
28, 30, 32	1 1/4	28, 30, 32	1 1/4	1 11/16-12	1 11/16-12	26	26	51	46	299	20 HLO-S	20HMLOSS	420	280
28, 30, 32	1 1/4	22, 25	1	1 11/16-12	1 7/16-12	26	21	51	46	280	20-16HMLOS	20-16HMLOSS	420	280
35, 38	1 1/2	35, 38	1 1/2	2-12	2-12	32	32	53	55	552	24 HLO-S	24HMLOSS	350	280
35, 38	1 1/2	28, 30, 32	1 1/4	2-12	1 11/16-12	32	26	53	55	530	24-20HMLOS	24-20HMLOSS	350	280
50	2	50	2	2 1/2-12	2 1/2-12	45	45	73	70	990	32 HLO-S	32HMLOSS	200	200

O-Lok® is delivered with NBR elastomeric seals as standard. For more details on other seal materials see page J73-J74.

Part numbers shown are part of our current manufacturing programme.

Imperial and metric parts may vary in hexagon dimensions.

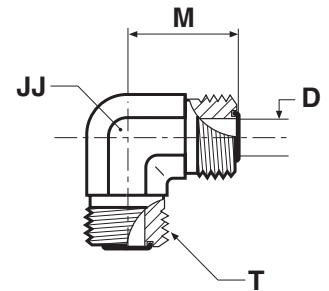
$$\frac{\text{PN (bar)}}{10} = \text{PN (MPa)}$$

Pressure ratings – PN shown, apply to Steel and Stainless Steel versions of the product.

J

EMLO Union elbow

O-Lok® ORFS tube ends
SAE 520201



Tube O.D.		Thread UN/UNF-2A T	D mm	JJ mm	M mm	Weight (steel) g/1 piece	O-Lok® Steel	O-Lok® Stainless Steel	PN (bar)	
mm	in.								S	SS
6	1/4	9/16-18	5	14	22	47	4 ELO-S	4EMLOSS	630	630
8, 10	5/16, 3/8	11/16-16	7	19	25	109	6 ELO-S	6EMLOSS	630	630
12	1/2	13/16-16	10	19	28	123	8 ELO-S	8EMLOSS	630	630
14, 15, 16	5/8	1-14	13	27	33	183	10 ELO-S	10EMLOSS	420	420
18, 20	3/4	1 3/16-12	16	30	37	255	12 ELO-S	12EMLOSS	420	420
22, 25	1	1 7/16-12	21	37	42	457	16 ELO-S	16EMLOSS	420	420
28, 30, 32	1 1/4	1 11/16-12	26	41	45	530	20 ELO-S	20EMLOSS	350	280
35, 38	1 1/2	2-12	32	48	49	687	24 ELO-S	24EMLOSS	280	280
50	2	2 1/2-12	45	64	70	1500	32 ELO-S	—	200	—

O-Lok® is delivered with NBR elastomeric seals as standard. For more details on other seal materials see page J73-J74.

Part numbers shown are part of our current manufacturing programme.

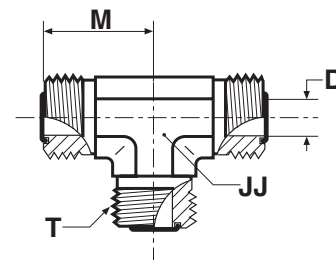
Imperial and metric parts may vary in hexagon dimensions.

$$\frac{\text{PN (bar)}}{10} = \text{PN (MPa)}$$

Pressure ratings – PN shown, apply to Steel and Stainless Steel versions of the product.

JMLO Union tee

O-Lok® ORFS tube ends
SAE 520401



Tube O.D.		Thread UN/UNF-2A T	D mm	JJ mm	M mm	Weight (steel) g/1 piece	O-Lok® Steel	O-Lok® Stainless Steel	PN (bar)	
mm	in.								S	SS
6	1/4	9/16-18	5	14	22	66	4JMLOS	4JMLOSS	630	630
8, 10	5/16, 3/8	11/16-16	7	19	25	114	6 JLO-S	6JMLOSS	630	630
12	1/2	13/16-16	10	19	28	199	8JMLOS	8JMLOSS	630	630
14, 15, 16	5/8	1-14	13	27	33	239	10 JLO-S	10JMLOSS	420	420
18, 20	3/4	1 3/16-12	16	30	37	321	12 JLO-S	12JMLOSS	420	420
22, 25	1	1 7/16-12	21	36	42	488	16 JLO-S	16JMLOSS	420	420
28, 30, 32	1 1/4	1 11/16-12	26	41	45	768	20 JLO-S	20JMLOSS	350	280
35, 38	1 1/2	2-12	32	48	49	866	24 JLO-S	24JMLOSS	280	280
50	2	2 1/2-12	45	64	70	2250	32 JLO-S	32JMLOSS	200	200

O-Lok® is delivered with NBR elastomeric seals as standard. For more details on other seal materials see page J73-J74.

Part numbers shown are part of our current manufacturing programme.

Imperial and metric parts may vary in hexagon dimensions.

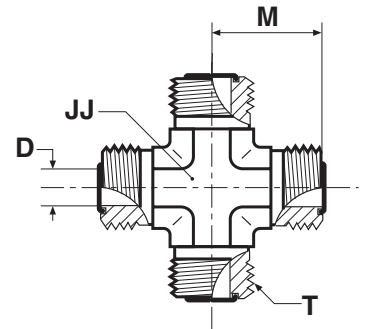
$$\frac{\text{PN (bar)}}{10} = \text{PN (MPa)}$$

Pressure ratings – PN shown, apply to Steel and Stainless Steel versions of the product.

J

KLO Union cross

O-Lok® ORFS tube ends
SAE 520501



Tube O.D.		Thread UN/UNF-2A T	D mm	JJ mm	M mm	Weight (steel) g/1 piece	O-Lok® Steel	O-Lok® Stainless Steel	PN (bar)	
mm	in.								S	SS
6	1/4	9/16-18	5	14	22	72	4 KLO-S	4 KLO-SS	630	630
8, 10	5/16, 3/8	11/16-16	7	19	25	140	6 KLO-S	6 KLO-SS	630	630
12	1/2	13/16-16	10	19	28	225	8 KLO-S	8 KLO-SS	630	630
14, 15, 16	5/8	1-14	13	27	33	288	10 KLO-S	10 KLO-SS	420	420
18, 20	3/4	1 3/16-12	16	30	37	415	12 KLO-S	12 KLO-SS	420	420
22, 25	1	1 7/16-12	21	37	42	967	16 KLO-S	16 KLO-SS	420	420
28, 30, 32	1 1/4	1 11/16-12	26	41	45	1247	20 KLO-S	20 KLO-SS	350	280
35, 38	1 1/2	2-12	32	48	49	1592	24 KLO-S	24 KLO-SS	280	280

O-Lok® is delivered with NBR elastomeric seals as standard. For more details on other seal materials see page J73–J74.

Part numbers shown are part of our current manufacturing programme.

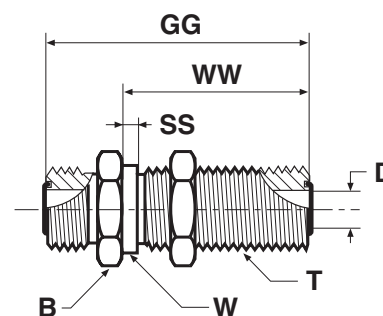
Imperial and metric parts may vary in hexagon dimensions.

$$\frac{\text{PN (bar)}}{10} = \text{PN (MPa)}$$

Pressure ratings – PN shown, apply to Steel and Stainless Steel versions of the product.

WMLO Bulkhead union

O-Lok® ORFS tube ends
SAE 520601 ISO 8434-3 BHS



Tube O.D.		Thread UN/UNF-2A T	B mm	D mm	GG mm	SS mm	W mm	WW mm	Weight (steel) g/1 piece	O-Lok® Steel	O-Lok® Stainless Steel	PN (bar)	
mm	in.											S	SS
6	1/4	9/16-18	22	5	49	2	14	32	65	4 WLO-WLNL-S	4WMLOWLNMLSS	630	630
8, 10	5/16, 3/8	11/16-16	27	7	53	2	17	34	104	6WMLOWLNMLS	6WMLOWLNMLSS	630	630
12	1/2	13/16-16	30	10	58	3	20	37	141	8WMLOWLNMLS	8WMLOWLNMLSS	630	630
14, 15, 16	5/8	1-14	32	13	67	3	25	41	285	10WMLOWLNMLS	10WMLOWLNMLSS	420	420
18, 20	3/4	1 3/16-12	41	16	69	3	30	42	322	12WMLOWLNMLS	12WMLOWLNMLSS	420	420
22, 25	1	1 7/16-12	46	21	70	3	36	42	436	16WMLOWLNMLS	16WMLOWLNMLSS	420	420
28, 30, 32	1 1/4	1 11/16-12	51	26	70	2	43	42	510	20 WLO-WLNL-S	20WMLOWLNMLSS	420	280
35, 38	1 1/2	2-12	60	32	70	2	51	42	674	24 WLO-WLNL-S	24WMLOWLNMLSS	350	280

O-Lok® is delivered with NBR elastomeric seals as standard. For more details on other seal materials see page J73-J74.

Part numbers shown are part of our current manufacturing programme.

Imperial and metric parts may vary in hexagon dimensions.

For the version without the locknut remove "WLNML" (e.g. 16WMLO)

$$\frac{\text{PN (bar)}}{10} = \text{PN (MPa)}$$

Pressure ratings – PN shown, apply to Steel and Stainless Steel versions of the product.

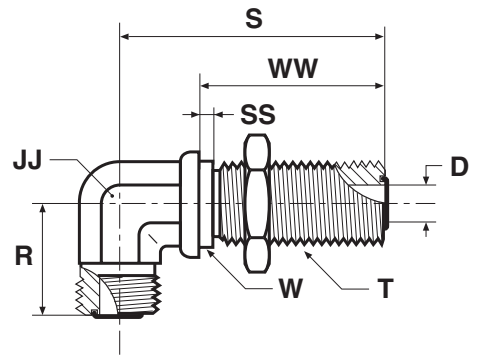


Maximum bulkhead wallthickness

Size	Tube O.D.		Straight bulkhead union Max. thickness mm	Shape bulkhead union Max. thickness mm
	inch	metric		
4	1/4	6	13.5	13.5
6	3/8	10	13.5	13.5
8	1/2	12	13.5	13.5
10	5/8	14-16	13.2	13.2
12	3/4	18-20	12.7	12.7
16	1	22-25	13.0	13.0
20	1 1/4	28-32	13.0	13.0
24	1 1/2	35-38	13.0	13.0

WEMLO Bulkhead union elbow

O-Lok® ORFS tube end/O-Lok® ORFS tube end
SAE520701/SAE 520701 ISO 8434-3 BHE



Tube O.D.		Thread UN/UNF-2A T	D mm	JJ mm	R mm	S mm	SS mm	W mm	WW mm	Weight (steel) g/1 piece	O-Lok®		PN (bar)	
mm	in.										Steel	Stainless Steel	S	SS
6	1/4	9/16-18	5	14	23	46	2	14	32	78	4 WELO-WLNL-S	4 WELO-WLNL-SS	630	630
8, 10	5/16, 3/8	11/16-16	7	19	26	52	2	17	34	146	6 WEMLOWLNMLS	6 WELO-WLNL-SS	630	630
12	1/2	13/16-16	10	19	29	56	3	20	37	252	8 WEMLOWLNMLS	8 WELO-WLNL-SS	630	630
14, 15, 16	5/8	1-14	13	27	35	63	3	25	41	287	10 WEMLOWLNMLS	10 WELO-WLNL-SS	420	420
18, 20	3/4	1 3/16-12	16	30	39	67	3	30	42	445	12 WELO-WLNL-S	12 WELO-WLNL-SS	420	420
22, 25	1	1 7/16-12	21	37	42	71	2	37	42	639	16 WELO-WLNL-S	16 WELO-WLNL-SS	420	420
28, 30, 32	1 1/4	1 11/16-12	26	41	45	75	2	43	42	718	20 WELO-WLNL-S	20 WELO-WLNL-SS	350	280
35, 38	1 1/2	2-12	32	48	50	80	2	51	42	945	24 WELO-WLNL-S	24 WELO-WLNL-SS	280	280

O-Lok® is delivered with NBR elastomeric seals as standard. For more details on other seal materials see page J73-J74.

Part numbers shown are part of our current manufacturing programme.

Imperial and metric parts may vary in hexagon dimensions.

For the version without the locknut remove "WLNML" (e.g. 16WEMLO)

$$\frac{PN \text{ (bar)}}{10} = PN \text{ (MPa)}$$

Pressure ratings – PN shown, apply to Steel and Stainless Steel versions of the product.

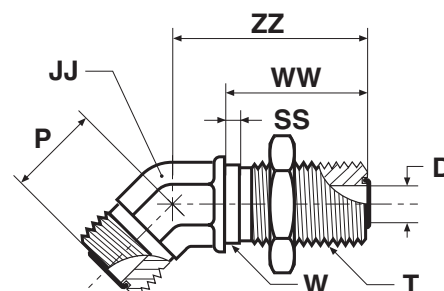
Maximum bulkhead wallthickness

Size	Tube O.D.		Straight bulkhead union Max. thickness mm	Shape bulkhead union Max. thickness mm
	inch	metric		
4	1/4	6	13.5	13.5
6	3/8	10	13.5	13.5
8	1/2	12	13.5	13.5
10	5/8	14-16	13.2	13.2
12	3/4	18-20	12.7	12.7
16	1	22-25	13.0	13.0
20	1 1/4	28-32	13.0	13.0
24	1 1/2	35-38	13.0	13.0

WNLO Bulkhead union 45° elbow

O-Lok® ORFS tube ends

SAE 520801 ISO 8434-3 BHE 45



Tube O.D.		Thread UN/UNF-2A T	D mm	JJ mm	P mm	SS mm	W mm	WW mm	ZZ mm	Weight (steel) g/1 piece	O-Lok® Steel	PN (bar)
mm	in.											
6	1/4	9/16-18	5	14	16	2	14	32	44	65	4 WNLO-WLNL-S	630
8, 10	5/16, 3/8	11/16-16	7	19	19	2	18	34	49	123	6 WNLO-WLNL-S	630
12	1/2	13/16-16	10	19	20	2	21	37	51	163	8 WNLO-WLNL-S	630
14, 15, 16	5/8	1-14	13	27	23	2	25	41	57	252	10 WNLO-WLNL-S	420
18, 20	3/4	1 3/16-12	16	30	26	2	30	42	61	386	12 WNLO-WLNL-S	420
22, 25	1	1 7/16-12	21	37	30	2	37	42	65	465	16 WNLO-WLNL-S	420
28, 30, 32	1 1/4	1 11/16-12	26	41	32	2	43	42	67	578	20 WNLO-WLNL-S	350
35, 38	1 1/2	2-12	32	48	37	2	51	42	67	770	24 WNLO-WLNL-S	280

O-Lok® is delivered with NBR elastomeric seals as standard. For more details on other seal materials see page J73-J74.

Part numbers shown are part of our current manufacturing programme.

Imperial and metric parts may vary in hexagon dimensions.

For the version without the locknut remove "WLNL" (e.g. 16 WNLO)

$$\frac{\text{PN (bar)}}{10} = \text{PN (MPa)}$$

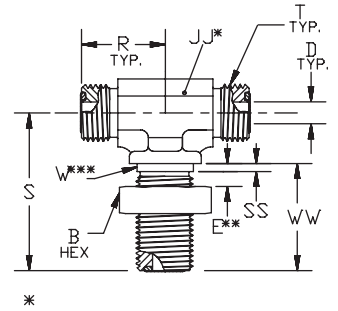


Maximum bulkhead wallthickness

Size	Tube O.D.		Straight bulkhead union Max. thickness mm	Shape bulkhead union Max. thickness mm
	inch	metric		
4	1/4	6	13.5	13.5
6	3/8	10	13.5	13.5
8	1/2	12	13.5	13.5
10	5/8	14-16	13.2	13.2
12	3/4	18-20	12.7	12.7
16	1	22-25	13.0	13.0
20	1 1/4	28-32	13.0	13.0
24	1 1/2	35-38	13.0	13.0

WJLO Bulkhead branch tee

O-Lok® ORFS tube ends



Tube O.D.		Thread UN/UNF-2A mm	B mm	D mm	E mm	JJ mm	R mm	S mm	SS mm	W mm	WW mm	Weight (steel) g/1 piece	O-Lok® Steel	PN (bar)
mm	in.													
6	1/4	9/16-18	18	5	14	14	23	47	2	14	32	100	4 WJLO-WLNL-S	630
8, 10	5/16, 3/8	11/16-16	21	7	14	19	26	52	2	18	34	178	6 WJLO-WLNL-S	630
12	1/2	13/16-16	24	10	14	19	29	55	2	21	37	270	8 WJLO-WLNL-S	630
14, 15, 16	5/8	1-14	29	13	14	27	35	63	2	25	41	370	10 WJLO-WLNL-S	420
18, 20	3/4	1 3/16-12	35	16	14	30	39	67	2	30	42	520	12 WJLO-WLNL-S	420
22, 25	1	1 7/16-12	42	21	14	36	42	71	2	37	42	680	16 WJLO-WLNL-S	420

O-Lok® is delivered with NBR elastomeric seals as standard. For more details on other seal materials see page J73-J74.

Part numbers shown are part of our current manufacturing programme.

Imperial and metric parts may vary in hexagon dimensions.

For the version without the locknut remove "WLNL" (e.g. 16 WJLO)

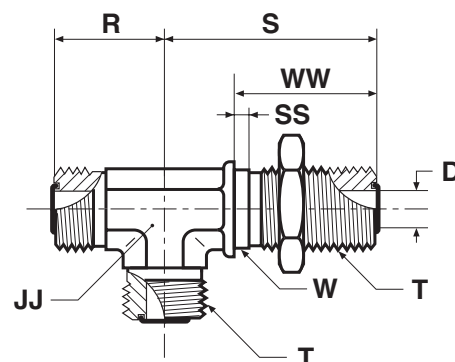
$$\frac{\text{PN (bar)}}{10} = \text{PN (MPa)}$$

Maximum bulkhead wallthickness

Size	Tube O.D.		Straight bulkhead union Max. thickness mm	Shape bulkhead union Max. thickness mm
	inch	metric		
4	1/4	6	13.5	13.5
6	3/8	10	13.5	13.5
8	1/2	12	13.5	13.5
10	5/8	14-16	13.2	13.2
12	3/4	18-20	12.7	12.7
16	1	22-25	13.0	13.0
20	1 1/4	28-32	13.0	13.0
24	1 1/2	35-38	13.0	13.0

WJJLO Bulkhead run tee

O-Lok® ORFS tube ends
SAE 520958 ISO 8434-3 BHRT



Tube O.D.		Thread UN/UNF-2A T	D mm	JJ mm	R mm	S mm	SS mm	W mm	WW mm	Weight (steel) g/1 piece	O-Lok® Steel	PN (bar)
mm	in.											
6	1/4	9/16-18	5	14	23	46	2	14	32	99	4 WJJLO-WLNL-S	630
8, 10	5/16, 3/8	11/16-16	7	19	26	52	2	18	34	178	6 WJJLO-WLNL-S	630
12	1/2	13/16-16	10	19	29	55	2	21	36	270	8 WJJLO-WLNL-S	630
14, 15, 16	5/8	1-14	13	27	35	63	2	25	41	368	10 WJJLO-WLNL-S	420
18, 20	3/4	1 3/16-12	16	30	39	67	2	30	42	516	12 WJJLO-WLNL-S	420
22, 25	1	1 7/16-12	21	37	42	71	2	37	42	678	16 WJJLO-WLNL-S	420
28, 30, 32	1 1/4	1 11/16-12	26	41	45	75	2	43	42	980	20 WJJLO-WLNL-S	350
35, 38	1 1/2	2-12	32	48	50	80	2	51	42	1900	24 WJJLO-WLNL-S	280

O-Lok® is delivered with NBR elastomeric seals as standard. For more details on other seal materials see page J73-J74.

Part numbers shown are part of our current manufacturing programme.

Imperial and metric parts may vary in hexagon dimensions.

For the version without the locknut remove "WLNL" (e.g. 16 WJJLO)

$$\frac{\text{PN (bar)}}{10} = \text{PN (MPa)}$$

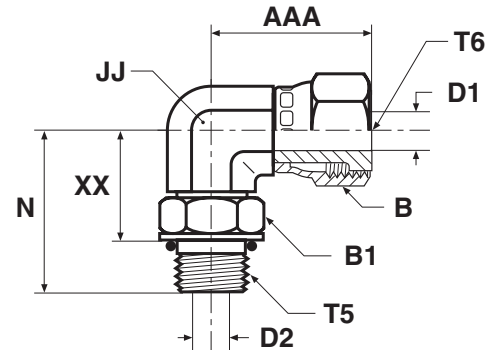


Maximum bulkhead wallthickness

Size	Tube O.D.		Straight bulkhead union Max. thickness mm	Shape bulkhead union Max. thickness mm
	inch	metric		
4	1/4	6	13.5	13.5
6	3/8	10	13.5	13.5
8	1/2	12	13.5	13.5
10	5/8	14-16	13.2	13.2
12	3/4	18-20	12.7	12.7
16	1	22-25	13.0	13.0
20	1 1/4	28-32	13.0	13.0
24	1 1/2	35-38	13.0	13.0

AOEL6 Swivel nut stud elbow

O-Lok® ORFS Female swivel end / Male UN/UNF thread – O-ring (ISO 11926)
SAE 520281



Tube O.D.		Thread UN/UNF-2A T5	Thread UN/UNF-2B T6	AAA	B	B1	D1	D2	JJ	N	XX	Weight (steel)	O-Lok® Steel	O-Lok® Stainless Steel	PN (bar)	
mm	in.			mm	mm	mm	mm	mm	mm	mm	mm	g/1 piece			S	SS
6	1/4	7/16-20	9/16-18	27	18	14	4	4	14	33	22	47	4 AOEL6-S	4 AOEL6-SS	420	420
8, 10	5/16, 3/8	9/16-18	11/16-16	30	21	19	7	7	19	37	25	97	6 AOEL6-S	6 AOEL6-SS	420	420
12	1/2	3/4-16	13/16-16	38	24	24	9	10	19	41	27	104	8 AOEL6-S	8 AOEL6-SS	420	420
14, 15, 16	5/8	7/8-14	1-14	42	29	27	12	13	27	50	34	199	10 AOEL6-S	10 AOEL6-SS	420	420
18, 20	3/4	1 1/16-12	1 3/16-12	46	35	35	14	16	27	55	37	162	12 AOEL6-S	12 AOEL6-SS	420	420
22, 25	1	1 5/16-12	1 7/16-12	53	41	41	20	21	33	60	42	365	16 AOEL6-S	16 AOEL6-SS	380	380
28, 30, 32	1 1/4	1 5/8-12	1 11/16-12	58	48	48	26	26	41	62	44	480	20 AOEL6-S	20 AOEL6-SS	280	280
35, 38	1 1/2	1 7/8-12	2-12	61	57	54	32	32	48	66	47	933	24 AOEL6-S	24 AOEL6-SS	280	280

O-Lok® is delivered with NBR elastomeric seals as standard. For more details on other seal materials see page J73–J74.

Part numbers shown are part of our current manufacturing programme.

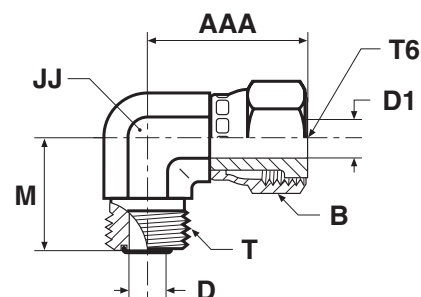
Imperial and metric parts may vary in hexagon dimensions.

$$\frac{\text{PN (bar)}}{10} = \text{PN (MPa)}$$

Pressure ratings – PN shown, apply to Steel and Stainless Steel versions of the product.

C6MLO Swivel nut elbow

O-Lok® ORFS Female swivel end / O-Lok® ORFS tube end
SAE 52M0221 ISO 8434-3 SWE



Tube O.D.		Thread UN/UNF-2A T	Thread UN/UNF-2B T6	AAA mm	B mm	D mm	D1 mm	JJ mm	M mm	Weight (steel) g/1 piece	O-Lok® Steel	O-Lok® Stainless Steel	PN (bar)	
mm	in.												S	SS
6	1/4	9/16-18	9/16-18	26	17	5	4	14	22	45	4C6MLOS	4C6MLOSS	500	420
8, 10	5/16, 3/8	11/16-16	11/16-16	29	22	7	9	19	25	84	6C6MLOS	6C6MLOSS	630	420
12	1/2	13/16-16	13/16-16	38	24	10	9	19	28	126	8C6MLOS	8C6MLOSS	630	420
14, 15, 16	5/8	1-14	1-14	41	30	13	12	27	33	221	10C6MLOS	10C6MLOSS	420	420
18, 20	3/4	1 3/16-12	1 3/16-12	46	36	16	14	30	37	284	12C6MLOS	12C6MLOSS	420	420
22, 25	1	1 7/16-12	1 7/16-12	53	41	21	20	36	42	541	16C6MLOS	16C6MLOSS	420	420
28, 30, 32	1 1/4	1 11/16-12	1 11/16-12	58	48	26	26	41	45	557	20 C6LO-S	20C6MLOSS	350	280
35, 38	1 1/2	2-12	2-12	61	57	32	32	48	49	706	24 C6LO-S	24C6MLOSS	280	280

O-Lok® is delivered with NBR elastomeric seals as standard. For more details on other seal materials see page J73-J74.

Part numbers shown are part of our current manufacturing programme.

Imperial and metric parts may vary in hexagon dimensions.

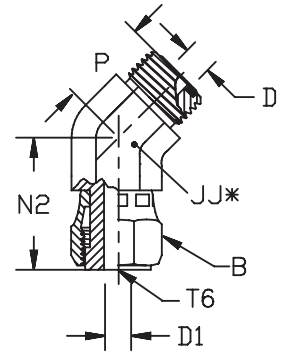
$$\frac{\text{PN (bar)}}{10} = \text{PN (MPa)}$$

Pressure ratings – PN shown, apply to Steel and Stainless Steel versions of the product.

J

V6LO 45° Swivel nut elbow

O-Lok® ORFS female swivel end / O-Lok® ORFS tube end



*JJ – Across wrench flats

Tube O.D.		Thread UN/UNF-2A T	Thread UN/UNF-2B T6	B mm	D mm	D1 mm	JJ mm	N2 mm	P mm	Weight (steel) g/1 piece	O-Lok® Steel	PN (bar)
mm	in.											
6	1/4	9/16-18	9/16-18	18	5	4	14	25	16	44	4 V6LO-S	500
8, 10	5/16, 3/8	11/16-16	11/16-16	21	7	7	19	28	19	82	6 V6LO-S	630
12	1/2	13/16-16	13/16-16	24	10	9	19	38	20	110	8 V6LO-S	630
14, 15, 16	5/8	1-14	1-14	29	13	12	27	39	23	190	10 V6LO-S	420
18, 20	3/4	1 3/16-12	1 3/16-12	35	16	14	30	44	26	288	12 V6LO-S	420
22, 25	1	1 7/16-12	1 7/16-12	42	21	20	36	48	30	300	16 V6LO-S	420
28, 30, 32	1 1/4	1 11/16-12	1 11/16-12	48	26	26	41	50	32	444	20 V6LO-S	350
35, 38	1 1/2	2-12	2-12	58	32	32	48	52	37	568	24 V6LO-S	280

O-Lok® is delivered with NBR elastomeric seals as standard. For more details on other seal materials see page J73–J74.

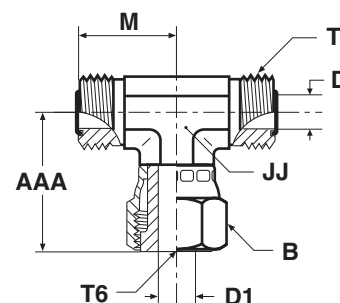
Part numbers shown are part of our current manufacturing programme.

Imperial and metric parts may vary in hexagon dimensions.

$$\frac{\text{PN (bar)}}{10} = \text{PN (MPa)}$$

S6MLO Swivel nut branch tee

O-Lok® ORFS female swivel end / O-Lok® ORFS tube ends
SAE 52M0433 ISO 8434-3 SWBT



Tube O.D.		Thread UN/UNF-2A T	Thread UN/UNF-2B T6	AAA mm	B mm	D mm	D1 mm	JJ mm	M mm	Weight (steel) g/1 piece	O-Lok® Steel	O-Lok® Stainless Steel	PN (bar)	
mm	in.												S	SS
6	1/4	9/16-18	9/16-18	26	17	5	4	14	22	66	4S6MLOS	4S6MLOSS	500	420
8, 10	5/16, 3/8	11/16-16	11/16-16	29	22	7	7	19	25	125	6S6MLOS	6S6MLOSS	630	420
12	1/2	13/16-16	13/16-16	38	24	10	9	19	28	150	8S6MLOS	8S6MLOSS	630	420
14, 15, 16	5/8	1-14	1-14	41	30	13	12	27	33	233	10S6MLOS	10S6MLOSS	420	420
18, 20	3/4	1 3/16-12	1 3/16-12	46	35	16	14	30	37	383	12 S6LO-S	12S6MLOSS	420	420
22, 25	1	1 7/16-12	1 7/16-12	53	41	21	20	37	42	518	16 S6LO-S	16S6MLOSS	420	420
28, 30, 32	1 1/4	1 11/16-12	1 11/16-12	58	48	26	26	41	45	775	20 S6LO-S	20S6MLOSS	350	280
35, 38	1 1/2	2-12	2-12	61	57	32	32	48	49	933	24 S6LO-S	24S6MLOSS	280	280

O-Lok® is delivered with NBR elastomeric seals as standard. For more details on other seal materials see page J73-J74.

Part numbers shown are part of our current manufacturing programme.

Imperial and metric parts may vary in hexagon dimensions.

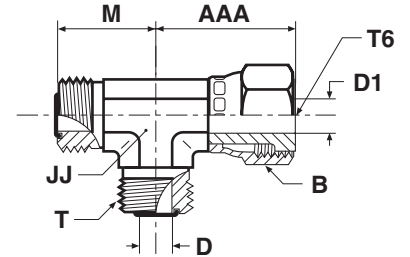
$$\frac{\text{PN (bar)}}{10} = \text{PN (MPa)}$$

Pressure ratings – PN shown, apply to Steel and Stainless Steel versions of the product.

J

R6MLO Swivel nut run tee

O-Lok® ORFS female swivel end / O-Lok® ORFS tube ends
 SAE 52M0432 ISO 8434-3 SWRT



Tube O.D.		Thread UN/UNF-2A T	Thread UN/UNF-2B T6	AAA mm	B mm	D mm	D1 mm	JJ mm	M mm	Weight (steel) g/1 piece	O-Lok® Steel	O-Lok® Stainless Steel	PN (bar)	
mm	in.												S	SS
6	1/4	9/16-18	9/16-18	26	17	5	4	14	22	66	4R6MLOS	4R6MLOSS	500	420
8, 10	5/16, 3/8	11/16-16	11/16-16	29	22	7	7	19	25	125	6R6MLOS	6R6MLOSS	630	420
12	1/2	13/16-16	13/16-16	38	24	10	9	19	28	150	8R6MLOS	8R6MLOSS	630	420
14, 15, 16	5/8	1-14	1-14	41	30	13	12	27	33	233	10R6MLOS	10R6MLOSS	420	420
18, 20	3/4	1 3/16-12	1 3/16-12	46	35	16	14	30	37	383	12 R6LO-S	12R6MLOSS	420	420
22, 25	1	1 7/16-12	1 7/16-12	53	41	21	20	37	42	518	16 R6LO-S	16R6MLOSS	420	420
28, 30, 32	1 1/4	1 11/16-12	1 11/16-12	58	48	26	26	41	45	775	20 R6LO-S	20R6MLOSS	350	280
35, 38	1 1/2	2-12	2-12	61	57	32	32	48	49	933	24 R6LO-S	24R6MLOSS	280	280

O-Lok® is delivered with NBR elastomeric seals as standard. For more details on other seal materials see page J73-J74.

Part numbers shown are part of our current manufacturing programme.

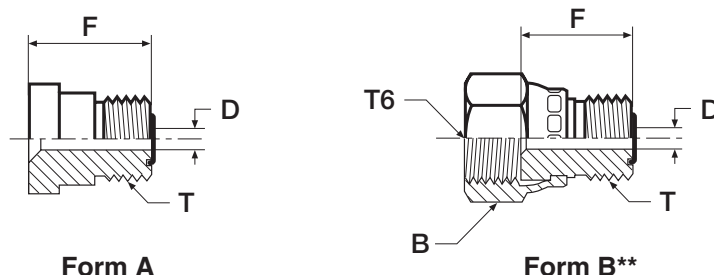
Imperial and metric parts may vary in hexagon dimensions.

$$\frac{\text{PN (bar)}}{10} = \text{PN (MPa)}$$

Pressure ratings – PN shown, apply to Steel and Stainless Steel versions of the product.

TRMLO Tube end reducer

O-Lok® ORFS tube end / O-Lok® ORFS swivel female end
SAE 520123 /A



Tube O.D.		Thread UN/UNF-2A T	Thread UN/UNF-2B T6	B mm	D mm	F mm	Weight (steel) g/1 piece	Form	O-Lok® Steel	O-Lok® Stainless Steel	PN (bar)	
mm	in.										S	SS
10	3/8	9/16-18	11/16-16	22	5	20	21	B	6-4TRMLONS	6-4TRMLONSS	630	420
12	1/2	9/16-18	—	—	5	22	30	A	8-4 TRLO-S	8-4TRMLOSS	630	420
12	1/2	11/16-16	13/16-16	24	7	22	33	B	8-6TRMLONS	8-6TRMLONSS	630	420
16	5/8	9/16-18	—	—	5	23	37	A	10-4 TRLO-S	10-4TRMLOSS	420	420
16	5/8	11/16-16	—	—	7	24	48	A	10-6 TRLO-S	10-6TRMLOSS	420	420
16	5/8	13/16-16	—	—	10	26	50	A	10-8 TRLO-S	10-8TRMLOSS	420	420
20	3/4	9/16-18	—	—	5	25	63	A	12-4 TRLO-S	12-4TRMLOSS	420	420
20	3/4	11/16-16	—	—	7	26	66	A	12-6 TRLO-S	12-6TRMLOSS	420	420
20	3/4	13/16-16	—	—	10	28	71	A	12-8 TRLO-S	12-8TRMLOSS	420	420
20	3/4	1-14	1 3/16-12	36	13	30	85	B	12-10TRMLONS	12-10TRMLONSS	420	420
25	1	13/16-16	—	—	10	29	103	A	16-8 TRLO-S	16-8TRMLOSS	420	420
25	1	1-14	—	—	13	32	118	A	16-10 TRLO-S	16-10TRMLOSS	420	420
25	1	1 3/16-12	1 7/16-12	41	16	33	133	B	16-12 TRLO-S	16-12TRMLONSS	420	420
32	1 1/4	1 3/16-12	—	—	16	34	169	A	20-12 TRLO-S	20-12TRMLOSS	420	280
32	1 1/4	1 7/16-12	1 11/16-12	48	21	38	183	B	20-16 TRLO-S	20-16TRMLONSS	350	280
38	1 1/2	1 7/16-12	—	—	21	31	205	A	24-16 TRLO-S	24-16TRMLOSS	350	280
38	1 1/2	1 11/16-12	—	—	26	34	209	A	24-20 TRLO-S	24-20TRMLOSS	350	280
50	2	1 11/16-12	—	—	26	36	420	A	32-20 TRLO-S	32-20TRMLOSS	200	200
50	2	2-12	—	—	32	36	420	A	32-24 TRLO-S	32-24TRMLOSS	200	200

O-Lok® is delivered with NBR elastomeric seals as standard. For more details on other seal materials see page J73–J74.

Part numbers shown are part of our current manufacturing programme.

Imperial and metric parts may vary in hexagon dimensions.

$$\frac{\text{PN (bar)}}{10} = \text{PN (MPa)}$$

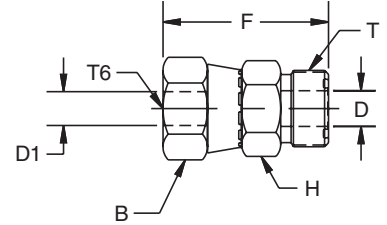
Pressure ratings – PN shown, apply to Steel and Stainless Steel versions of the product.

**These size come assembled with a crimp style nut (Form B).

J

LOHL6 Tube end expander

O-Lok® ORFS tube end / O-Lok® ORFS female swivel end



Tube O.D.		Thread UN/UNF-2A T	Thread UN/UNF-2B T6	B mm	D mm	D1 mm	H mm	F mm	Weight (steel) g/1 piece	O-Lok® Steel	PN (bar)
mm	in.										
8, 10	5/16, 3/8	11/16-16	9/16-18	18	7	4	19	35	33	6-4LOHL6	630
12	1/2	13/16-16	11/16-16	21	10	7	22	39	52	8-6LOHL6	630
14, 15, 16	5/8	1-14	13/16-16	24	13	9	27	46	92	10-8LOHL6	420
18, 20	3/4	1 3/16-12	1-14	29	16	12	32	51	146	12-10LOHL6	420
22, 25	1	1 7/16-12	1 3/16-12	35	21	14	41	55	205	16-12LOHL6	420
28, 30, 32	1 1/4	1 11/16-12	1 7/16-12	42	26	20	46	58	260	20-16LOHL6	350
35, 38	1 1/2	2-12	1 11/16-12	48	26	26	55	60	315	24-20LOHL6	280

O-Lok® is delivered with NBR elastomeric seals as standard. For more details on other seal materials see page J73-J74.

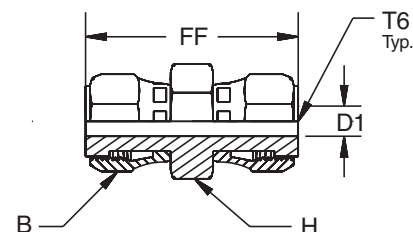
Part numbers shown are part of our current manufacturing programme.

Imperial and metric parts may vary in hexagon dimensions.

$$\frac{\text{PN (bar)}}{10} = \text{PN (MPa)}$$

HL6 Swivel nut union

O-Lok® ORFS female swivel ends



Tube O.D.		Thread UN/UNF-2B T6	B mm	D1 mm	FF mm	H mm	Weight (steel) g/1 piece	O-Lok® Steel	PN (bar)
mm	in.								
6	1/4	9/16-18	18	4.0	40.4	17	53	4 HL6-S	500
8, 10	5/16, 3/8	11/16-16	21	6.5	45.0	19	66	6 HL6-S	630
12	1/2	13/16-16	24	9.0	53.8	22	110	8 HL6-S	630
14, 15, 16	5/8	1-14	29	11.5	61.5	27	173	10 HL6-S	420
18, 20	3/4	1 3/16-12	35	14.0	69.6	32	275	12 HL6-S	420

Part numbers shown are part of our current manufacturing programme.

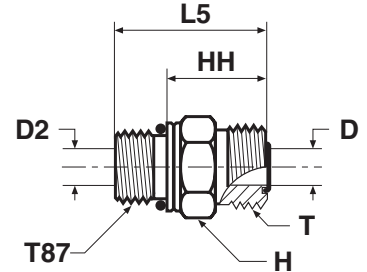
Imperial and metric parts may vary in hexagon dimensions.

$$\frac{\text{PN (bar)}}{10} = \text{PN (MPa)}$$

J

F87OMLO Male stud connector

O-Lok® ORFS tube end / Male metric thread – O-ring (ISO 6149-2)
 SAE 52M0187 ISO 8434-3 SDS



Tube O.D.		Thread metric T87	Thread UN/UNF-2A T	D mm	D2 mm	H mm	HH mm	L5 mm	Weight (steel) g/1 piece	O-Lok® Steel	O-Lok® Stainless Steel	PN (bar)	
mm	in.											S	SS
6	1/4	M10×1.0	9/16-18	5	3	17	18	27	20	4M10F87OMLOS	4M10F87OMLOSS	630	630
6	1/4	M12×1.5	9/16-18	5	4	17	18	29	24	4M12F87OMLOS	4M12F87OMLOSS	630	630
6	1/4	M14×1.5	9/16-18	5	5	19	19	30	30	4M14F87OMLOS	4M14F87OMLOSS	630	630
8, 10	5/16, 3/8	M12×1.5	11/16-16	6	4	19	23	34	40	6M12F87OMLOS	6M12F87OMLOSS	630	630
8, 10	5/16, 3/8	M14×1.5	11/16-16	7	6	19	20	31	43	6M14F87OMLOS	6M14F87OMLOSS	630	630
8, 10	5/16, 3/8	M16×1.5	11/16-16	7	7	22	21	34	43	6M16F87OMLOS	6M16F87OMLOSS	630	630
8, 10	5/16, 3/8	M18×1.5	11/16-16	7	7	24	21	35	45	6M18F87OMLOS	6M18F87OMLOSS	630	630
8, 10	5/16, 3/8	M22×1.5	11/16-16	7	7	27	23	38	52	6M22F87OMLOS	6M22F87OMLOSS	420	420
12	1/2	M14×1.5	13/16-16	10	6	22	24	35	40	8M14F87OMLOS	8M14F87OMLOSS	630	630
12	1/2	M16×1.5	13/16-16	10	7	22	20	37	58	8M16F87OMLOS	8M16F87OMLOSS	630	630
12	1/2	M18×1.5	13/16-16	10	9	24	23	37	55	8M18F87OMLOS	8M18F87OMLOSS	630	630
12	1/2	M22×1.5	13/16-16	10	10	27	24	39	60	8M22F87OMLOS	8M22F87OMLOSS	420	420
12	1/2	M27×2	13/16-16	10	10	32	26	44	70	8M27F87OMLOS	8M27F87OMLOSS	420	420
14, 15, 16	5/8	M18×1.5	1-14	13	9	27	27	41	120	10M18F87OMLOS	10M18F87OMLOSS	420	420
14, 15, 16	5/8	M22×1.5	1-14	13	12	27	27	42	127	10M22F87OMLOS	10M22F87OMLOSS	420	420
18, 20	3/4	M22×1.5	1 3/16-12	16	12	32	35	50	170	12M22F87OMLOS	12M22F87OMLOSS	420	420
18, 20	3/4	M27×2	1 3/16-12	16	15	32	30	49	187	12M27F87OMLOS	12M27F87OMLOSS	420	420
18, 20	3/4	M33×2	1 3/16-12	16	16	41	31	50	200	12M33F87OMLOS	12M33F87OMLOSS	420	420
22, 25	1	M27×2	1 7/16-12	21	15	41	36	54	230	16M27F87OMLOS	16M27F87OMLOSS	420	420
22, 25	1	M33×2	1 7/16-12	21	20	41	34	52	270	16M33F87OMLOS	16M33F87OMLOSS	420	280
28, 30, 32	1 1/4	M33×2	1 11/16-12	26	20	46	36	54	370	20M33F87OMLOS	20M33F87OMLOSS	420	280
28, 30, 32	1 1/4	M42×2	1 11/16-12	26	26	50	36	55	390	20M42F87OMLOS	20M42F87OMLOSS	420	280
35, 38	1 1/2	M42×2	2-12	32	26	55	41	60	400	24M42F87OMLOS	24M42F87OMLOSS	350	280
35, 38	1 1/2	M48×2	2-12	32	32	55	36	57	412	24M48F87OMLOS	24M48F87OMLOSS	350	280
50	2	M60×2	2 1/2-12	40	40	65	41	65	800	32M60F87OMLOS	32M60F87OMLOSS	200	280

O-Lok® is delivered with NBR elastomeric seals as standard. For more details on other seal materials see page J73–J74.

Part numbers shown are part of our current manufacturing programme.

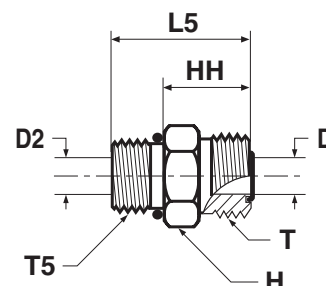
Imperial and metric parts may vary in hexagon dimensions.

$$\frac{\text{PN (bar)}}{10} = \text{PN (MPa)}$$

Pressure ratings – PN shown, apply to Steel and Stainless Steel versions of the product.

F5OMLO Male stud connector

O-Lok® ORFS tube end / Male UN/UNF thread – O-ring (ISO 11926)
SAE 520120



Tube O.D.		Thread UN/UNF-2A T5	Thread UN/UNF-2A T	D mm	D2 mm	H mm	HH mm	L5 mm	Weight (steel) g/1 piece	O-Lok® Steel	O-Lok® Stainless Steel	PN (bar)	
mm	in.											S	SS
6	1/4	7/16-20	9/16-18	5	5	17	18	29	21	4F5OMLOS	4F5OMLOSS	630	630
6	1/4	1/2-20	9/16-18	5	6	17	19	29	30	4-5 F5OLO-S	4-5F5OMLOSS	630	630
6	1/4	9/16-18	9/16-18	5	5	19	19	31	36	4-6F5OMLOS	4-6F5OMLOSS	630	630
6	1/4	3/4-16	9/16-18	5	5	22	20	34	67	4-8 F5OLO-S	4-8F5OMLOSS	630	630
8, 10	5/16, 3/8	9/16-18	11/16-16	7	7	19	20	32	45	6F5OMLOS	6F5OMLOSS	630	630
8, 10	5/16, 3/8	7/16-20	11/16-16	7	5	19	23	34	47	6-4F5OMLOS	6-4F5OMLOSS	630	630
8, 10	5/16, 3/8	1/2-20	11/16-16	7	6	19	21	31	50	6-5 F5OLO-S	6-5F5OMLOSS	630	630
8, 10	5/16, 3/8	3/4-16	11/16-16	7	7	22	21	35	51	6-8F5OMLOS	6-8F5OMLOSS	630	630
8, 10	5/16, 3/8	7/8-14	11/16-16	7	7	27	23	39	89	6-10F5OMLOS	6-10F5OMLOSS	420	420
10	1/2	3/4-16	13/16-16	10	10	22	23	37	56	8F5OMLOS	8F5OMLOSS	630	630
12	1/2	9/16-18	13/16-16	10	8	22	26	38	69	8-6F5OMLOS	8-6F5OMLOSS	630	630
12	1/2	7/8-14	13/16-16	10	10	27	24	40	105	8-10F5OMLOS	8-10F5OMLOSS	420	420
12	1/2	1 1/16-12	13/16-16	10	10	32	26	44	169	8-12F5OMLOS	8-12F5OMLOSS	420	420
12	1/2	1 5/16-12	13/16-16	10	10	38	27	46	227	8-16F5OMLOS	8-16F5OMLOSS	420	420
14, 15, 16	5/8	7/8-14	1-14	13	13	27	27	43	137	10F5OMLOS	10F5OMLOSS	420	420
14, 15, 16	5/8	3/4-16	1-14	13	10	27	31	45	120	10-8F5OMLOS	10-8F5OMLOSS	420	420
14, 15, 16	5/8	1 1/16-12	1-14	13	13	32	29	47	170	10-12F5OMLOS	10-12F5OMLOSS	420	420
18, 20	3/4	1 1/16-12	1 3/16-12	16	16	32	30	49	189	12F5OMLOS	12F5OMLOSS	420	420
18, 20	3/4	3/4-16	1 3/16-12	16	10	32	35	49	167	12-8 F5OLO-S	12-8F5OMLOSS	420	420
18, 20	3/4	7/8-14	1 3/16-12	16	13	32	35	51	177	12-10F5OMLOS	12-10F5OMLOSS	420	420
18, 20	3/4	1 5/16-12	1 3/16-12	16	16	38	31	50	280	12-16F5OMLOS	12-16F5OMLOSS	420	420
18, 20	3/4	1 5/8-12	1 3/16-12	16	16	46	32	51	350	12-20F5OMLOS	12-20F5OMLOSS	420	420
22, 25	1	1 5/16-12	1 7/16-12	21	21	41	32	50	271	16 F5OLO-S	16F5OMLOSS	420	420
22, 25	1	1 1/16-12	1 7/16-12	21	16	41	36	55	275	16-12 F5OLO-S	16-12F5OMLOSS	420	420
22, 25	1	1 5/8-12	1 7/16-12	21	21	46	34	52	428	16-20 F5OLO-S	16-20F5OMLOSS	420	280
28, 30, 32	1 1/4	1 5/8-12	1 11/16-12	26	26	46	34	52	391	20F5OMLOS	20F5OMLOSS	420	280
28, 30, 32	1 1/4	1 5/16-12	1 11/16-12	26	21	48	39	58	401	20-16 F5OLO-S	20-16F5OMLOSS	420	280
28, 30, 32	1 1/4	1 7/8-12	1 11/16-12	26	32	54	36	54	557	20-24 F5OLO-S	20-24F5OMLOSS	350	280
35, 38	1 1/2	1 7/8-12	2-12	32	32	54	36	54	412	24 F5OLO-S	24F5OMLOSS	350	280
35, 38	1 1/2	1 5/8-12	2-12	32	26	54	41	60	581	24-20 F5OLO-S	24-20F5OMLOSS	350	280
50	2	2 1/2-12	2 1/2-12	45	40	70	40	59	900	32 F5OLO-S	32F5OMLOSS	200	200

O-Lok® is delivered with NBR elastomeric seals as standard. For more details on other seal materials see page J73–J74.

Part numbers shown are part of our current manufacturing programme.

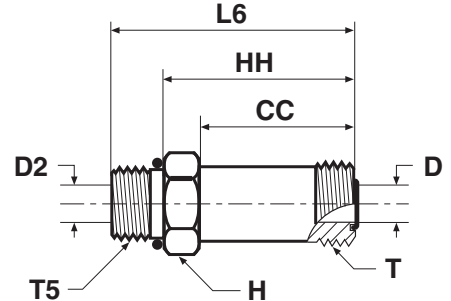
Imperial and metric parts may vary in hexagon dimensions.

$$\frac{\text{PN (bar)}}{10} = \text{PN (MPa)}$$

Pressure ratings – PN shown, apply to Steel and Stainless Steel versions of the product.

FF5OMLO Extended male stud connector

O-Lok® ORFS tube end / Male UN/UNF thread – O-ring (ISO 11926)
SAE 521720 (Previously 520122)



Tube O.D.		Thread UN/UNF-2A T5	Thread UN/UNF-2A T	CC mm	D mm	D2 mm	H mm	HH mm	L6 mm	Weight (steel) g/1 piece	O-Lok® Steel	O-Lok® Stainless Steel	PN (bar)	
mm	in.												S	SS
6	1/4	7/16-20	9/16-18	34	5	5	16	42	53	51	4 FF5OLO-S	4FF5OMLOSS	630	630
8, 10	5/16, 3/8	9/16-18	11/16-16	37	7	7	19	46	58	79	6 FF5OLO-S	6FF5OMLOSS	630	630
12	1/2	3/4-16	13/16-16	44	10	10	22	54	68	125	8 FF5OLO-S	8FF5OMLOSS	630	630
14, 15, 16	5/8	7/8-14	1-14	52	13	13	27	64	80	212	10 FF5OLO-S	10FF5OMLOSS	420	420
18, 20	3/4	1 1/16-12	1 3/16-12	52	16	16	33	77	96	309	12 FF5OLO-S	12FF5OMLOSS	420	420
22, 25	1	1 5/16-12	1 7/16-12	72	21	21	38	87	105	435	16 FF5OLO-S	16FF5OMLOSS	420	420
28, 30, 32	1 1/4	1 5/8-12	1 11/16-12	86	26	26	48	102	121	818	20 FF5OLO-S	20FF5OMLOSS	420	280
35, 38	1 1/2	1 7/8-12	2-12	97	32	32	54	115	134	1430	24 FF5OLO-S	24FF5OMLOSS	350	280

O-Lok® is delivered with NBR elastomeric seals as standard. For more details on other seal materials see page J73–J74.

Part numbers shown are part of our current manufacturing programme.

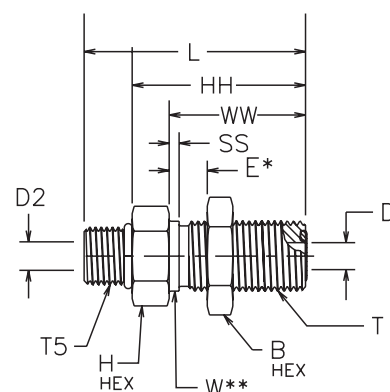
Imperial and metric parts may vary in hexagon dimensions.

$$\frac{\text{PN (bar)}}{10} = \text{PN (MPa)}$$

Pressure ratings – PN shown, apply to Steel and Stainless Steel versions of the product.

WF5OLO Bulkhead male connector

O-Lok® ORFS tube end / Male UN/UNF – O-ring (ISO 11926)



Tube O.D.	Thread UN/UNF-2A	Thread UN/UNF-2A	B	D	D2	E	H	HH	L	SS	W	WW	Weight (steel)	O-Lok® Steel	PN (bar)
mm	in.	T	T5	mm	mm	mm	mm	mm	mm	mm	mm	mm	g/1 piece		
6	1/4	9/16-18	7/16-20	21	5	5	14	21	43	2	14	32	75	4 WF5OLO-WLNL-S	630
6	1/4	9/16-18	9/16-18	21	5	8	14	21	43	2	14	32	88	4-6 WF5OLO-WLNL-S	630
8, 10	5/16, 3/8	11/16-16	9/16-18	25	7	8	14	25	46	2	18	34	112	6 WF5OLO-WLNL-S	630
12	1/2	13/16-16	3/4-16	29	10	10	14	29	52	2	21	37	147	8 WF5OLO-WLNL-S	630
14, 15, 16	5/8	1-14	7/8-14	33	13	13	13	33	51	2	25	41	295	10 WF5OLO-WLNL-S	420
18, 20	3/4	1 3/16-12	1 1/16-12	38	16	16	13	38	52	2	30	42	330	12 WF5OLO-WLNL-S	420

O-Lok® is delivered with NBR elastomeric seals as standard. For more details on other seal materials see page J73–J74.

Part numbers shown are part of our current manufacturing programme.

Imperial and metric parts may vary in hexagon dimensions.

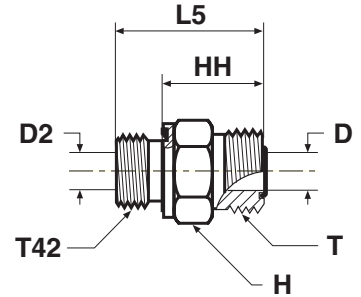
For the version without the locknut remove “WLNL” (e.g. 12 WF5OLO)

$$\frac{PN \text{ (bar)}}{10} = PN \text{ (MPa)}$$

J

F42EDMLO Male stud connector

O-Lok® ORFS tube end / Male BSPP thread – ED seal (ISO 1179)



Tube O.D.		BSPP male thread T42	Thread UN/UNF-2A T	D mm	D2 mm	H mm	HH mm	L5 mm	Weight (steel) g/1 piece	O-Lok®		PN (bar)	
mm	in.									Steel	Stainless Steel	S	SS
6	1/4	1/8-28	9/16-18	5	4	17	18	26	29	4F42EDMLOS	4F42EDMLOSS	630	630
6	1/4	1/4-19	9/16-18	5	5	19	18	31	42	4-4F42EDMLOS	4-4F42EDMLOSS	630	630
6	1/4	3/8-19	9/16-18	5	5	22	20	32	61	4-6F42EDMLOS	4-6F42EDMLOSS	630	630
6	1/4	1/2-14	9/16-18	5	5	27	21	35	119	4-8F42EDMLOS	4-8F42EDMLOSS	420	420
8, 10	5/16, 3/8	1/4-19	11/16-16	7	5	19	20	32	45	6F42EDMLOS	6F42EDMLOSS	630	630
8, 10	5/16, 3/8	1/8-28	11/16-16	7	4	19	23	31	44	6-2F42EDMLOS	6-2F42EDMLOSS	630	630
8, 10	5/16, 3/8	3/8-19	11/16-16	7	7	22	21	33	63	6-6F42EDMLOS	6-6F42EDMLOSS	630	630
8, 10	5/16, 3/8	1/2-14	11/16-16	7	7	27	23	37	122	6-8F42EDMLOS	6-8F42EDMLOSS	420	420
8, 10	5/16, 3/8	3/4-19	11/16-16	7	7	32	24	40	192	6-12F42EDMLOS	6-12F42EDMLOSS	420	420
12	1/2	3/8-19	13/16-16	10	8	22	23	35	196	8F42EDMLOS	8F42EDMLOSS	630	630
12	1/2	1/4-19	13/16-16	10	5	22	25	38	193	8-4F42EDMLOS	8-4F42EDMLOSS	630	630
12	1/2	1/2-14	13/16-16	10	10	27	24	38	198	8-8F42EDMLOS	8-8F42EDMLOSS	420	420
12	1/2	3/4-19	13/16-16	10	10	32	26	42	205	8-12F42EDMLOS	8-12F42EDMLOSS	420	420
14, 15, 16	5/8	1/2-14	1-14	13	13	27	27	41	332	10F42EDMLOS	10F42EDMLOSS	420	420
14, 15, 16	5/8	3/8-19	1-14	13	8	27	31	43	315	10-6F42EDMLOS	10-6F42EDMLOSS	420	420
14, 15, 16	5/8	3/4-19	1-14	13	13	32	29	45	348	10-12F42EDMLOS	10-12F42EDMLOSS	420	420
14, 15, 16	5/8	1-11	1-14	13	13	41	30	48	360	10-16F42EDMLOS	10-16F42EDMLOSS	420	420
18, 20	3/4	3/4-19	1 3/16-12	16	16	32	30	46	200	12F42EDMLOS	12F42EDMLOSS	420	420
18, 20	3/4	1/2-14	1 3/16-12	16	12	32	34	49	183	12-8F42EDMLOS	12-8F42EDMLOSS	420	420
18, 20	3/4	1-11	1 3/16-12	16	16	41	31	49	362	12-16F42EDMLOS	12-16F42EDMLOSS	420	420
18, 20	3/4	1 1/4-11	1 3/16-12	16	16	50	33	53	505	12-20F42EDMLOS	12-20F42EDMLOSS	420	420
22, 25	1	1-11	1 7/16-12	21	20	41	32	50	343	16F42EDMLOS	16F42EDMLOSS	420	420
22, 25	1	1/2-14	1 7/16-12	21	12	41	36	50	380	16-8F42EDMLOS	16-8F42EDMLOSS	420	420
22, 25	1	3/4-19	1 7/16-12	21	16	41	36	52	411	16-12F42EDMLOS	16-12F42EDMLOSS	420	420
22, 25	1	1 1/4-11	1 7/16-12	21	21	50	34	54	487	16-20F42EDMLOS	16-20F42EDMLOSS	420	420
22, 25	1	1 1/2-11	1 7/16-12	21	21	55	36	58	715	16-24F42EDMLOS	16-24F42EDMLOSS	350	280
28, 30, 32	1 1/4	1 1/4-11	1 11/16-12	25	25	50	34	54	454	20F42EDMLOS	20F42EDMLOSS	420	280
28, 30, 32	1 1/4	1-11	1 11/16-12	26	20	46	39	57	412	20-16F42EDMLOS	20-16F42EDMLOSS	420	280
28, 30, 32	1 1/4	1 1/2-11	1 11/16-12	26	26	55	36	58	532	20-24F42EDMLOS	20-24F42EDMLOSS	350	280
35, 38	1 1/2	1 1/2-11	2-12	32	32	55	36	58	585	24F42EDMLOS	24F42EDMLOSS	350	280
35, 38	1 1/2	1 1/4-11	2-12	32	25	55	41	61	540	24-20F42EDMLOS	24-20F42EDMLOSS	350	280
50	2	2-11	2 1/2-12	40	40	75	41	65	900	32F42EDMLOS	32F42EDMLOSS	200	200

O-Lok® is delivered with NBR elastomeric seals as standard. For more details on other seal materials see page J73-J74.

Part numbers shown are part of our current manufacturing programme.

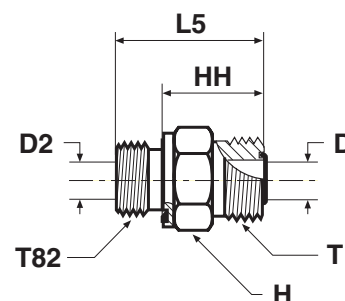
Imperial and metric parts may vary in hexagon dimensions.

$$\frac{\text{PN (bar)}}{10} = \text{PN (MPa)}$$

Pressure ratings – PN shown, apply to Steel and Stainless Steel versions of the product.

F82EDMLO Male stud connector

O-Lok® ORFS tube end / Male metric thread – ED seal (ISO 9974)



Tube O.D.		Thread metric T82	Thread UN/UNF-2A T	D mm	D2 mm	H mm	HH mm	L5 mm	Weight (steel) g/1 piece	O-Lok® Steel	O-Lok® Stainless Steel	PN (bar)	
mm	in.											S	SS
6	1/4	M10×1.0	9/16-18	5	4	17	18	26	20	4M10F82EDMLOS	4M10F82EDMLOSS	630	630
6	1/4	M12×1.5	9/16-18	5	4	17	18	30	24	4M12F82EDMLOS	4M12F82EDMLOSS	630	630
6	1/4	M14×1.5	9/16-18	5	5	19	19	31	29	4M14F82EDMLOS	4M14F82EDMLOSS	630	630
6	1/4	M16×1.5	9/16-18	5	7	22	19	31	33	4M16F82EDMLOS	4M16F82EDMLOSS	630	630
8, 10	5/16, 3/8	M12×1.5	11/16-16	7	4	19	23	35	35	6M12F82EDMLOS	6M12F82EDMLOSS	630	630
8, 10	5/16, 3/8	M14×1.5	11/16-16	7	5	19	20	32	40	6M14F82EDMLOS	6M14F82EDMLOSS	630	630
8, 10	5/16, 3/8	M16×1.5	11/16-16	7	7	22	20	32	43	6M16F82EDMLOS	6M16F82EDMLOSS	630	630
12	1/2	M16×1.5	13/16-16	10	7	22	26	38	49	8M16F82EDMLOS	8M16F82EDMLOSS	630	630
12	1/2	M18×1.5	13/16-16	10	8	24	23	35	55	8M18F82EDMLOS	8M18F82EDMLOSS	630	630
14, 15, 16	5/8	M16×1.5	1-14	13	7	27	30	42	70	10M16F82EDMLOS	10M16F82EDMLOSS	420	420
14, 15, 16	5/8	M18×1.5	1-14	13	8	27	31	43	85	10M18F82EDMLOS	10M18F82EDMLOSS	420	420
14, 15, 16	5/8	M22×1.5	1-14	13	12	27	27	41	127	10M22F82EDMLOS	10M22F82EDMLOSS	420	420
18, 20	3/4	M27×2	1 3/16-12	16	16	32	30	46	187	12M27F82EDMLOS	12M27F82EDMLOSS	420	420
22, 25	1	M33×2	1 7/16-12	20	20	41	32	50	270	16M33F82EDMLOS	16M33F82EDMLOSS	420	420
28, 30, 32	1 1/4	M42×2	1 11/16-12	26	25	50	34	54	390	20M42F82EDMLOS	20M42F82EDMLOSS	420	280
35, 38	1 1/2	M48×2	2-12	32	32	55	36	58	412	24M48F82EDMLOS	24M48F82EDMLOSS	350	280

O-Lok® is delivered with NBR elastomeric seals as standard. For more details on other seal materials see page J73–J74.

Part numbers shown are part of our current manufacturing programme.

Imperial and metric parts may vary in hexagon dimensions.

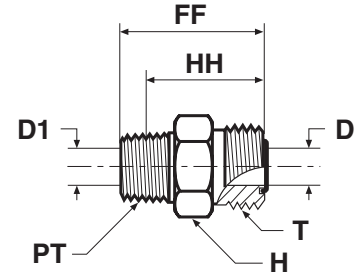
$$\frac{\text{PN (bar)}}{10} = \text{PN (MPa)}$$

Pressure ratings – PN shown, apply to Steel and Stainless Steel versions of the product.

FLO Male stud connector

O-Lok® ORFS tube end / Male NPTF* thread (SAE J476)

*Stainless Steel = NPT to prevent galling



Tube O.D.		Thread NPTF PT	Thread UN/UNF-2A T	D mm	D1 mm	FF mm	H mm	HH mm	Weight (steel) g/1 piece	O-Lok® Steel	O-Lok® Stainless Steel	PN (bar)	
mm	in.											S	SS
6	1/4	1/8-27	9/16-18	5	5	27	16	21.0	26	4 FLO-S	4 FLO-SS	420	420
6	1/4	1/4-18	9/16-18	5	7	32	16	23.0	34	4-4 FLO-S	4-4 FLO-SS	420	420
6	1/4	3/8-18	9/16-18	5	5	36	19	25.0	47	4-6 FLO-S	4-6 FLO-SS	420	420
8, 10	5/16, 3/8	1/4-18	11/16-16	7	7	32	19	23.0	39	6 FLO-S	6 FLO-SS	420	420
8, 10	5/16, 3/8	3/8-18	11/16-16	7	7	34	19	25.0	52	6-6 FLO-S	6-6 FLO-SS	420	420
8, 10	5/16, 3/8	1/2-14	11/16-16	7	13	39	22	28.0	82	6-8 FLO-S	6-8 FLO-SS	420	420
12	1/2	3/8-18	13/16-16	10	10	38	22	29.0	83	8 FLO-S	8 FLO-SS	420	420
12	1/2	1/2-14	13/16-16	10	13	42	22	30.0	84	8-8 FLO-S	8-8 FLO-SS	420	420
12	1/2	3/4-14	13/16-16	10	18	43	29	31.0	166	8-12 FLO-S	8-12 FLO-SS	380	350
14, 15, 16	5/8	1/2-14	1-14	13	13	46	27	35.0	115	10 FLO-S	10 FLO-SS	420	420
14, 15, 16	5/8	3/4-14	1-14	13	18	46	29	34.0	138	10-12 FLO-S	10-12 FLO-SS	380	350
18, 20	3/4	3/4-14	1 3/16-12	15	18	49	32	37.0	179	12 FLO-S	12 FLO-SS	380	350
18, 20	3/4	1/2-14	1 3/16-12	15	13	49	32	37.0	165	12-8 FLO-S	12-8 FLO-SS	420	420
18, 20	3/4	1-11 1/2	1 3/16-12	15	24	54	35	40.0	225	12-16 FLO-S	12-16 FLO-SS	310	210
22, 25	1	1-11 1/2	1 7/16-12	21	24	56	38	41.0	271	16 FLO-S	16 FLO-SS	310	210
22, 25	1	3/4-14	1 7/16-12	21	18	51	38	39.0	238	16-12 FLO-S	16-12 FLO-SS	380	350
28, 30, 32	1 1/4	1 1/4-11 1/2	1 11/16-12	26	32	58	48	43.5	424	20 FLO-S	20 FLO-SS	210	210
35, 38	1 1/2	1 1/2-11 1/2	2-12	32	38	61	54	46.0	534	24 FLO-S	24 FLO-SS	200	175

O-Lok® is delivered with NBR elastomeric seals as standard. For more details on other seal materials see page J73-J74.

Part numbers shown are part of our current manufacturing programme.

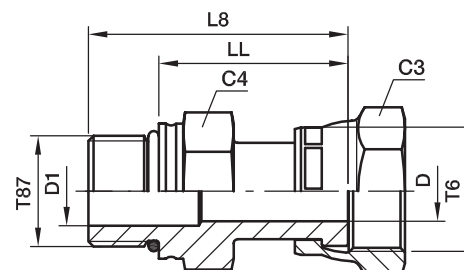
Imperial and metric parts may vary in hexagon dimensions.

$$\frac{PN \text{ (bar)}}{10} = PN \text{ (MPa)}$$

Pressure ratings – PN shown, apply to Steel and Stainless Steel versions of the product.

F687OML Swivel male stud

O-Lok® ORFS Female swivel end / Male metric thread – O-ring (ISO 6149-2)



Tube O.D.		Thread metric T87	Thread UN/UNF-2B T6	C3 mm	C4 mm	D mm	D1 mm	L8 mm	LL mm	Weight (steel) g/1 piece	O-Lok® Steel	O-Lok® Stainless Steel	PN (bar)	
mm	in.												S	SS
6	1/4	M12×1.5	9/16-18	17	17	4	4	38	27	53	4M12F687OMLS	4M12F687OMLS	500	420
6	5/16	M12×1.5	11/16-16	22	17	7	4	40	29	66	6M12F687OMLS	6M12F687OMLS	630	420
8	3/8	M14×1.5	11/16-16	22	19	7	6	40	29	72	6M14F687OMLS	6M14F687OMLS	630	420
8, 10	5/16, 3/8	M16×1.5	11/16-16	22	22	7	7	42	29	85	6M16F687OMLS	6M16F687OMLS	630	420
12	1/2	M16×1.5	13/16-16	24	22	9	7	49	36	110	8M16F687OMLS	8M16F687OMLS	630	420
14, 15, 16	5/8	M22×1.5	1-14	30	27	12	12	53	38	173	10M22F687OMLS	10M22F687OMLS	420	400
18, 20	3/4	M22×1.5	1 3/16-12	36	30	14	12	57	42	230	12M22F687OMLS	12M22F687OMLS	420	400
18, 20	3/4	M27×2	1 3/16-12	36	32	14	14	61	42	275	12M27F687OMLS	12M27F687OMLS	420	400
22, 25	1	M27×2	1 7/16-12	41	36	20	15	68	49	420	16M27F687OMLS	16M27F687OMLS	420	400
22, 25	1	M33×2	1 7/16-12	41	41	20	20	68	49	462	16M33F687OMLS	16M33F687OMLS	420	400
28, 30, 32	1 1/4	M42×2	1 11/16-12	50	50	26	26	68	49	622	20M42F687OMLS	20M42F687OMLS	350	280
35, 38	1 1/2	M48×2	2-12	60	55	32	32	71	50	885	24M48F687OMLS	24M48F687OMLS	280	280

O-Lok® is delivered with NBR elastomeric seals as standard. For more details on other seal materials see page J73–J74.

Part numbers shown are part of our current manufacturing programme.

Imperial and metric parts may vary in hexagon dimensions.

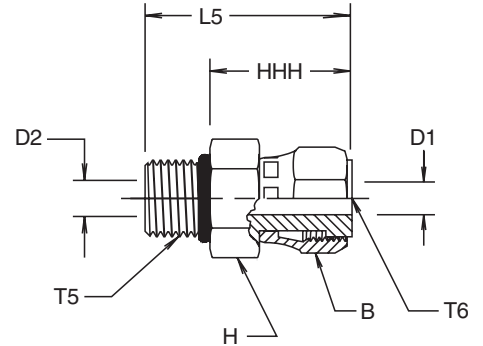
$$\frac{\text{PN (bar)}}{10} = \text{PN (MPa)}$$

Pressure ratings – PN shown, apply to Steel and Stainless Steel versions of the product.

J

F65OL Swivel male stud

O-Lok® ORFS female swivel end / Male UN/UNF thread – O-ring (ISO 11926)
SAE 520181



Tube O.D.		Thread UN/UNF-2A T5	Thread UN/UNF-2B T6	B mm	D1 mm	D2 mm	H mm	HHH mm	L5 mm	Weight (steel) g/1 piece	O-Lok® Steel	PN (bar)
6	1/4	7/16-20	9/16-18	18	4	5	17	26	37	53	4 F65OL-S	500
8, 10	5/16, 3/8	9/16-18	11/16-16	21	7	7	19	28	40	66	6 F65OL-S	630
12	1/2	3/4-16	13/16-16	24	9	10	22	35	50	110	8 F65OL-S	630
14, 15, 16	5/8	7/8-14	1-14	29	12	13	27	38	54	173	10 F65OL-S	420
18, 20	3/4	1 1/16-12	1 3/16-12	35	14	16	32	41	59	275	12 F65OL-S	420
22, 25	1	1 5/16-12	1 7/16-12	42	20	21	41	49	68	462	16 F65OL-S	420
28, 30, 32	1 1/4	1 5/8-12	1 11/16-12	48	26	26	46	50	68	622	20 F65OL-S	350

O-Lok® is delivered with NBR elastomeric seals as standard. For more details on other seal materials see page J73–J74.

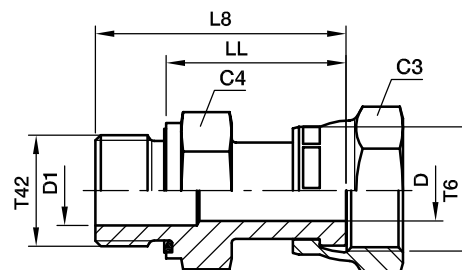
Part numbers shown are part of our current manufacturing programme.

Imperial and metric parts may vary in hexagon dimensions.

$$\frac{\text{PN (bar)}}{10} = \text{PN (MPa)}$$

F642EDML Swivel male stud

O-Lok® ORFS Swivel female end / Male BSPP thread – ED seal (ISO 1179)



Tube O.D.		Thread BSPP T42	Thread UN/UNF-2B T6	C3 mm	C4 mm	D mm	D1 mm	L8 mm	LL mm	Weight (steel) g/1 piece	O-Lok® Steel	O-Lok® Stainless Steel	PN (bar)	
mm	in.												S	SS
6	1/4	1/8	9/16-18	17	14	4	4	34	26	43	4F642EDMLS	4F642EDMLSS	500	420
6	1/4	1/4	9/16-18	17	19	4	4	38	26	59	4-4F642EDMLS	4-4F642EDMLSS	500	420
8, 10	5/16, 3/8	1/4	11/16-16	22	19	7	5	40	28	72	6F642EDMLS	6F642EDMLSS	630	420
8, 10	5/16, 3/8	3/8	11/16-16	22	22	7	7	40	28	86	6-6F642EDMLS	6-6F642EDMLSS	630	420
8, 10	5/16, 3/8	1/2	11/16-16	22	27	7	7	42	28	92	6-8F642EDMLS	6-8F642EDMLSS	420	420
12	1/2	3/8	13/16-16	24	22	9	8	47	35	104	8F642EDMLS	8F642EDMLSS	630	420
12	1/2	1/4	13/16-16	24	22	9	5	47	35	98	8-4F642EDMLS	8-4F642EDMLSS	630	420
12	1/2	1/2	13/16-16	24	27	9	9	49	35	142	8-8F642EDMLS	8-8F642EDMLSS	420	420
14, 15, 16	5/8	1/2	1-14	30	27	12	12	52	38	165	10F642EDMLS	10F642EDMLSS	420	420
14, 15, 16	5/8	3/4	1-14	30	32	12	12	54	38	185	10-12F642EDMLS	10-12F642EDMLSS	420	420
18, 20	3/4	3/4	1 3/16-12	36	32	14	14	57	41	266	12F642EDMLS	12F642EDMLSS	420	420
18, 20	3/4	1/2	1 3/16-12	36	30	14	12	55	41	220	12-8F642EDMLS	12-8F642EDMLSS	420	420
22, 25	1	1	1 7/16-12	41	41	20	20	67	49	414	16F642EDMLS	16F642EDMLSS	420	420
28, 30, 32	1 1/4	1 1/4	1 11/16-12	50	50	26	25	69	49	623	20F642EDMLS	20F642EDMLSS	350	280
35, 38	1 1/2	1 1/2	2-12	60	55	32	32	72	50	885	24F642EDMLS	24F642EDMLSS	280	280

O-Lok® is delivered with NBR elastomeric seals as standard. For more details on other seal materials see page J73–J74.

Part numbers shown are part of our current manufacturing programme.

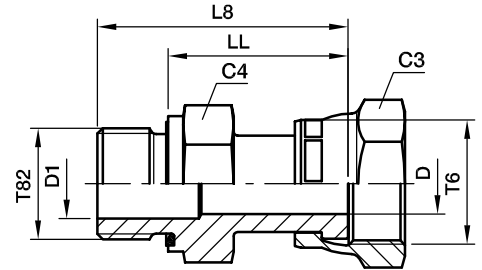
Imperial and metric parts may vary in hexagon dimensions.

$$\frac{\text{PN (bar)}}{10} = \text{PN (MPa)}$$

Pressure ratings – PN shown, apply to Steel and Stainless Steel versions of the product.

F682EDML Swivel male stud

O-Lok® ORFS Swivel female end / Male metric thread – ED seal (ISO 9974)



Tube O.D.		Thread metric T82	Thread UN/UNF-2B T6	C3 mm	C4 mm	D mm	D1 mm	L8 mm	LL mm	Weight (steel) g/1 piece	O-Lok® Steel	O-Lok® Stainless Steel	PN (bar)	
mm	in.												S	SS
6	1/4	M12×1.5	9/16-18	17	17	4	4	39	27	56	4M12F682EDMLS	4M12F682EDMLSS	500	420
8, 10	5/16, 3/8	M14×1.5	11/16-16	22	19	7	5	41	29	73	6M14F682EDMLS	6M14F682EDMLSS	630	420
8, 10	5/16, 3/8	M16×1.5	11/16-16	24	22	7	7	41	29	85	6M16F682EDMLS	6M16F682EDMLSS	630	420
12	1/2	M16×1.5	13/16-16	24	22	9	7	48	36	109	8M16F682EDMLS	8M16F682EDMLSS	630	420
14, 15, 16	5/8	M22×1.5	1-14	30	27	12	12	53	39	165	10M22F682EDMLS	10M22F682EDMLSS	420	420
18, 20	3/4	M27×2	1 3/16-12	36	32	14	14	58	42	282	12M27F682EDMLS	12M27F682EDMLSS	420	420
22, 25	1	M33×2	1 7/16-12	41	41	20	20	68	50	467	16M33F682EDMLS	16M33F682EDMLSS	420	420
28, 30, 32	1 1/4	M42×2	1 11/16-12	50	50	26	25	70	50	635	20M42F682EDMLS	20M42F682EDMLSS	350	280
35, 38	1 1/2	M48×2	2-12	60	55	32	32	72	50	885	24M48F682EDMLS	24M48F682EDMLSS	280	280

O-Lok® is delivered with NBR elastomeric seals as standard. For more details on other seal materials see page J73–J74.

Part numbers shown are part of our current manufacturing programme.

Imperial and metric parts may vary in hexagon dimensions.

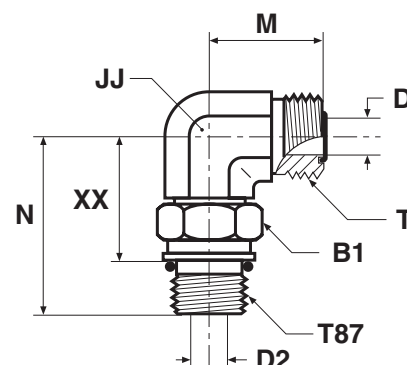
$$\frac{\text{PN (bar)}}{10} = \text{PN (MPa)}$$

Pressure ratings – PN shown, apply to Steel and Stainless Steel versions of the product.

C87OMLO Male stud elbow

O-Lok® ORFS tube end / Male metric thread – O-ring (ISO 6149-2)

SAE 52M0287 ISO 8434-3 SDE



Tube O.D.	Thread metric T87	Thread UN/UNF-2B T	B1 mm	D mm	D2 mm	JJ mm	M mm	N mm	XX mm	Weight (steel) g/1 piece	O-Lok®		PN (bar)		
											Steel	Stainless Steel	S	SS	
6	1/4	M10×1.0	9/16-18	14	5	3	14	22	31	21	50	4M10C87OMLOS	4M10C87OMLOSS	420	420
6	1/4	M12×1.5	9/16-18	17	5	4	14	22	33	22	52	4M12C87OMLOS	4M12C87OMLOSS	420	420
6	1/4	M14×1.5	9/16-18	19	5	6	14	24	36	25	55	4M14C87OMLOS	4M14C87OMLOSS	420	420
8, 10	5/16, 3/8	M12×1.5	11/16-16	17	7	4	19	25	36	25	60	6M12C87OMLOS	6M12C87OMLOSS	420	420
8, 10	5/16, 3/8	M14×1.5	11/16-16	19	7	6	19	25	36	25	60	6M14C87OMLOS	6M14C87OMLOSS	420	420
8, 10	5/16, 3/8	M16×1.5	11/16-16	22	7	7	19	25	38	27	65	6M16C87OMLOS	6M16C87OMLOSS	420	420
12	1/2	M14×1.5	13/16-16	19	10	6	19	28	36	25	150	8M14C87OMLOS	8M14C87OMLOSS	420	420
12	1/2	M16×1.5	13/16-16	22	10	7	19	28	38	27	92	8M16C87OMLOS	8M16C87OMLOSS	420	420
12	1/2	M18×1.5	13/16-16	24	10	9	19	28	41	27	161	8M18C87OMLOS	8M18C87OMLOSS	420	420
12	1/2	M22×1.5	13/16-16	27	10	12	27	31	49	35	200	8M22C87OMLOS	8M22C87OMLOSS	420	420
14, 15, 16	5/8	M18×1.5	1-14	24	13	9	27	33	48	36	190	10M18C87OMLOS	10M18C87OMLOSS	420	420
14, 15, 16	5/8	M22×1.5	1-14	27	13	12	27	33	49	34	214	10M22C87OMLOS	10M22C87OMLOSS	420	420
18, 20	3/4	M22×1.5	1 3/16-12	27	16	12	30	37	50	35	390	12M22C87OMLOS	12M22C87OMLOSS	420	420
18, 20	3/4	M27×2	1 3/16-12	32	16	15	30	37	56	40	440	12M27C87OMLOS	12M27C87OMLOSS	420	420
22, 25	1	M33×2	1 7/16-12	41	21	20	36	42	59	43	501	16M33C87OMLOS	16M33C87OMLOSS	420	420
28, 30, 32	1 1/4	M33×2	1 11/16-12	41	26	20	41	45	62	46	530	20M33C87OMLOS	20M33C87OMLOSS	350	280
28, 30, 32	1 1/4	M42×2	1 11/16-12	50	26	26	41	45	63	46	561	20M42C87OMLOS	20M42C87OMLOSS	280	280
35, 38	1 1/2	M48×2	2-12	55	32	32	50	49	72	53	684	24M48C87OMLOS	24M48C87OMLOSS	280	280

O-Lok® is delivered with NBR elastomeric seals as standard. For more details on other seal materials see page J73–J74.

Part numbers shown are part of our current manufacturing programme.

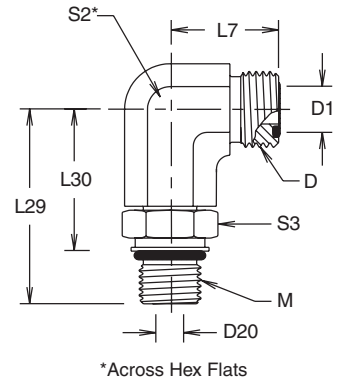
Imperial and metric parts may vary in hexagon dimensions.

$$\frac{\text{PN (bar)}}{10} = \text{PN (MPa)}$$

Pressure ratings – PN shown, apply to Steel and Stainless Steel versions of the product.

CC87OMLO Extended male stud elbow

O-Lok® ORFS tube end / Male metric thread – O-ring (ISO 6149-2)
 SAE 52M1587 ISO 8434-3 SDEL



Tube O.D.		Thread metric M	Thread UN/UNF-2A D	D1 mm	D20 mm	L7 mm	L29 mm	L30 mm	S2 mm	S3 mm	Weight (steel) g/1 piece	O-Lok® Steel	PN (bar)
mm	in.												
6	1/4	M12×1.5	9/16-18	5	4	21	56	45	14	17	44	4M12CC87OMLOS	420
8, 10	5/16, 3/8	M14×1.5	11/16-16	7	6	25	56	45	17	19	51	6M14CC87OMLOS	420
8, 10	5/16, 3/8	M16×1.5	11/16-16	7	7	25	67	54	17	22	51	6M16CC87OMLOS	420
12	1/2	M18×1.5	13/16-16	10	9	28	75	61	19	24	150	8M18CC87OMLOS	420
12	1/2	M22×1.5	13/16-16	10	12	31	88	73	27	27	150	8M22CC87OMLOS	420
14, 15, 16	5/8	M22×1.5	1-14	13	12	34	88	73	27	27	160	10M22CC87OMLOS	420
18, 20	3/4	M27×2	1 3/16-12	16	15	38	101	82	27	32	290	12M27CC87OMLOS	420
22, 25	1	M33×2	1 7/16-12	21	20	42	115	96	36	41	480	16M33CC87OMLOS	420
28, 30, 32	1 1/4	M42×2	1 11/16-12	26	26	45	127	108	41	50	630	20M42CC87OMLOS	280

O-Lok® is delivered with NBR elastomeric seals as standard. For more details on other seal materials see page J73–J74.

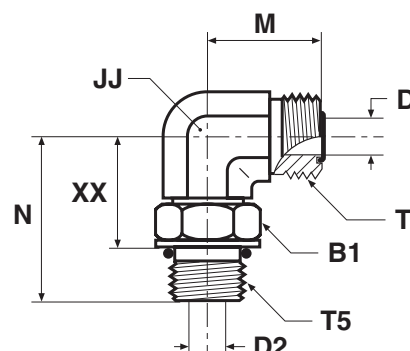
Part numbers shown are part of our current manufacturing programme.

Imperial and metric parts may vary in hexagon dimensions.

$$\frac{\text{PN (bar)}}{10} = \text{PN (MPa)}$$

C50MLO Male stud elbow

O-Lok® ORFS tube end / Male UN/UNF thread – O-ring (ISO 11926)
SAE 520220



Tube O.D.		Thread UN/UNF-2A T5	Thread UN/UNF-2A T	B1 mm	D mm	D2 mm	JJ mm	M mm	N mm	XX mm	Weight (steel) g/1 piece	O-Lok®		PN (bar)	
mm	in.											Steel	Stainless Steel	S	SS
6	1/4	7/16-20	9/16-18	16	5	5	14	22	33	22	53	4 C50LO-S	4C50MLOSS	420	420
6	1/4	9/16-18	9/16-18	19	5	8	19	24	37	25	66	4-6C50MLOS	4-6C50MLOSS	420	420
6	1/4	3/4-16	9/16-18	24	5	10	19	25	41	27	67	4-8 C50LO-S	4-8C50MLOSS	420	420
8, 10	5/16, 3/8	9/16-18	11/16-16	19	7	8	19	25	37	25	68	6C50MLOS	6C50MLOSS	420	420
8, 10	5/16, 3/8	7/16-20	11/16-16	16	7	5	19	25	35	24	57	6-4 C50LO-S	6-4C50MLOSS	420	420
8, 10	5/16, 3/8	3/4-16	11/16-16	24	7	10	19	27	41	27	105	6-8C50MLOS	6-8C50MLOSS	420	420
8, 10	5/16, 3/8	7/8-14	11/16-16	27	7	12	22	29	50	34	196	6-10 C50LO-S	6-10C50MLOSS	420	420
8, 10	5/16, 3/8	1 1/16-12	11/16-16	36	7	16	27	33	55	37	250	6-12 C50LO-S	6-12C50MLOSS	420	420
12	1/2	3/4-16	13/16-16	24	10	10	19	28	41	27	164	8C50MLOS	8C50MLOSS	420	420
12	1/2	9/16-18	13/16-16	19	10	7	19	28	37	25	81	8-6 C50LO-S	8-6C50MLOSS	420	420
12	1/2	7/8-14	13/16-16	27	10	13	27	31	50	34	187	8-10C50MLOS	8-10C50MLOSS	420	420
12	1/2	1 1/16-12	13/16-16	36	10	15	30	36	55	37	201	8-12 C50LO-S	8-12C50MLOSS	420	420
14, 15, 16	5/8	7/8-14	1-14	27	13	13	27	33	50	34	214	10C50MLOS	10C50MLOSS	420	420
14, 15, 16	5/8	3/4-16	1-14	24	13	10	27	33	46	32	175	10-8 C50LO-S	10-8C50MLOSS	420	420
14, 15, 16	5/8	1 1/16-12	1-14	35	13	16	30	36	55	37	248	10-12 C50LO-S	10-12C50MLOSS	420	420
18, 20	3/4	1 1/16-12	1 3/16-12	36	16	16	30	37	55	37	442	12C50MLOS	12C50MLOSS	420	420
18, 20	3/4	3/4-16	1 3/16-12	24	16	10	30	37	47	33	325	12-8C50MLOS	12-8C50MLOSS	420	420
18, 20	3/4	7/8-14	1 3/16-12	27	16	13	30	37	51	35	296	12-10C50MLOS	12-10C50MLOSS	420	420
18, 20	3/4	1 5/16-12	1 3/16-12	41	16	22	36	41	60	41	346	12-16 C50LO-S	12-16C50MLOSS	380	380
22, 25	1	1 5/16-12	1 7/16-12	41	21	21	37	42	60	38	502	16 C50LO-S	16C50MLOSS	380	380
22, 25	1	1 1/16-12	1 7/16-12	35	21	16	37	42	59	40	473	16-12 C50LO-S	16-12C50MLOSS	420	420
22, 25	1	1 5/8-12	1 7/16-12	48	21	26	41	45	62	44	580	16-20 C50LO-S	16-20C50MLOSS	280	280
28, 30, 32	1 1/4	1 5/8-12	1 11/16-12	48	26	26	41	45	62	44	563	20 C50LO-S	20C50MLOSS	280	280
28, 30, 32	1 1/4	1 5/16-12	1 11/16-12	41	26	22	41	45	62	43	563	20-16C50MLOS	20-16C50MLOSS	380	280
28, 30, 32	1 1/4	1 7/8-12	1 11/16-12	54	26	32	48	49	66	47	764	20-24 C50LO-S	20-24C50MLOSS	280	280
35, 38	1 1/2	1 7/8-12	2-12	54	32	32	48	49	66	47	689	24 C50LO-S	24C50MLOSS	280	280
35, 38	1 1/2	1 5/8-12	2-12	48	32	26	48	49	66	47	644	24-20 C50LO-S	24-20C50MLOSS	280	280
50	2	2 1/2-12	2 1/2-12	70	45	40	64	70	78	59	2200	32 C50LO-S	32C50MLOSS	170	170

O-Lok® is delivered with NBR elastomeric seals as standard. For more details on other seal materials see page J73–J74.

Part numbers shown are part of our current manufacturing programme.

Imperial and metric parts may vary in hexagon dimensions.

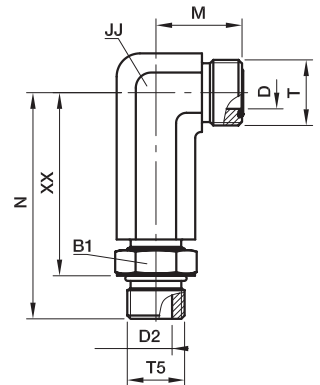
$$\frac{\text{PN (bar)}}{10} = \text{PN (MPa)}$$

Pressure ratings – PN shown, apply to Steel and Stainless Steel versions of the product.



CC5OLO Extended male stud elbow

O-Lok® ORFS tube end / Male UN/UNF thread – O-ring (ISO 11926)
SAE 521520



Tube O.D.		Thread UN/UNF-2A T5	Thread UN/UNF-2A T	B1 mm	D mm	D2 mm	JJ mm	M mm	N mm	XX mm	Weight (steel) g/1 piece	O-Lok® Steel	PN (bar)
mm	in.												
6	1/4	7/16-20	9/16-18	16	5	5	14	22	57	46	44	4 CC5OLO-S	420
8, 10	5/16, 3/8	9/16-18	11/16-16	19	7	7	19	25	66	54	51	6 CC5OLO-S	420
12	1/2	3/4-16	13/16-16	24	10	10	19	28	75	61	146	8 CC5OLO-S	420
14, 15, 16	5/8	7/8-14	1-14	27	13	13	27	33	90	73	159	10 CC5OLO-S	420
18, 20	3/4	1 1/16-12	1 3/16-12	36	16	16	30	37	101	82	291	12 CC5OLO-S	420
22, 25	1	1 5/16-12	1 7/16-12	38	21	21	36	42	115	96	481	16 CC5OLO-S	380

O-Lok® is delivered with NBR elastomeric seals as standard. For more details on other seal materials see page J73–J74.

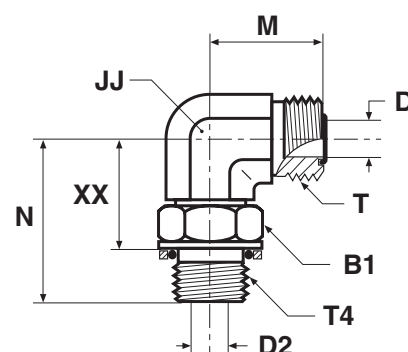
Part numbers shown are part of our current manufacturing programme.

Imperial and metric parts may vary in hexagon dimensions.

$$\frac{\text{PN (bar)}}{10} = \text{PN (MPa)}$$

C4OMLO Male stud elbow

O-Lok® ORFS tube end / Male BSPP thread O-ring + retaining ring (ISO 1179)



Tube O.D.		Thread BSPP T4	Thread UN/UNF-2A T	B1 mm	D mm	D2 mm	JJ mm	M mm	N mm	XX mm	Weight (steel) g/1 piece	O-Lok® Steel	O-Lok® Stainless Steel	PN (bar)	
mm	in.											Steel	Stainless Steel	S	SS
6	1/4	1/8	9/16-18	14	5	4	14	22	30	22	49	4C4OMLOS	4C4OMLOSS	250	250
6	1/4	1/4	9/16-18	19	5	8	19	24	36	25	93	4-4C4OMLOS	4-4C4OMLOSS	250	200
6	1/4	3/8	9/16-18	22	5	10	19	25	38	27	99	4-6C4OMLOS	4-6C4OMLOSS	250	200
8, 10	5/16, 3/8	1/4	11/16-16	19	7	8	19	25	36	25	97	6C4OMLOS	6C4OMLOSS	250	200
8, 10	5/16, 3/8	1/8	11/16-16	14	7	5	19	25	32	24	62	6-2C4OMLOS	6-2C4OMLOSS	250	200
8, 10	5/16, 3/8	3/8	11/16-16	22	7	10	19	27	38	27	106	6-6C4OMLOS	6-6C4OMLOSS	250	200
8, 10	5/16, 3/8	1/2	11/16-16	27	7	13	27	29	49	34	120	6-8C4OMLOS	6-8C4OMLOSS	250	200
12	1/2	3/8	13/16-16	22	10	10	19	28	38	27	108	8C4OMLOS	8C4OMLOSS	250	200
12	1/2	1/4	13/16-16	19	10	8	19	28	36	25	99	8-4C4OMLOS	8-4C4OMLOSS	250	200
12	1/2	1/2	13/16-16	27	10	12	27	31	49	34	239	8-8C4OMLOS	8-8C4OMLOSS	250	200
12	1/2	3/4	13/16-16	36	10	16	30	34	52	37	258	8-12C4OMLOS	8-12C4OMLOSS	250	200
14, 15, 16	5/8	1/2	1-14	27	13	12	27	33	49	34	274	10C4OMLOS	10C4OMLOSS	250	200
14, 15, 16	5/8	3/8	1-14	22	13	10	27	33	43	31	235	10-6C4OMLOS	10-6C4OMLOSS	250	200
14, 15, 16	5/8	3/4	1-14	36	13	16	30	36	52	37	352	10-12C4OMLOS	10-12C4OMLOSS	250	200
14, 15, 16	5/8	1	1-14	41	13	22	36	40	58	41	382	10-16C4OMLOS	10-16C4OMLOSS	250	200
18, 20	3/4	3/4	1 3/16-12	36	16	16	30	37	52	37	355	12C4OMLOS	12C4OMLOSS	250	200
18, 20	3/4	1/2	1 3/16-12	27	16	12	30	37	50	35	297	12-8C4OMLOS	12-8C4OMLOSS	250	200
18, 20	3/4	1	1 3/16-12	41	16	22	36	41	58	41	362	12-16C4OMLOS	12-16C4OMLOSS	250	200
22, 25	1	1	1 7/16-12	41	21	22	36	42	58	41	551	16C4OMLOS	16C4OMLOSS	250	200
22, 25	1	3/4	1 7/16-12	36	21	16	36	42	55	41	533	16-12C4OMLOS	16-12C4OMLOSS	250	200
22, 25	1	1 1/4	1 7/16-12	50	21	28	41	45	61	44	758	16-20C4OMLOS	16-20C4OMLOSS	210	160
28, 30, 32	1 1/4	1 1/4	1 11/16-12	50	26	28	41	45	61	44	752	20C4OMLOS	20C4OMLOSS	210	160
28, 30, 32	1 1/4	1	1 11/16-12	41	26	22	41	45	61	44	712	20-16C4OMLOS	20-16C4OMLOSS	250	200
28, 30, 32	1 1/4	1 1/2	1 11/16-12	55	26	33	50	49	65	47	821	20-24C4OMLOS	20-24C4OMLOSS	140	140
35, 38	1 1/2	1 1/2	2-12	55	32	33	50	49	65	47	953	24C4OMLOS	24C4OMLOSS	140	140

O-Lok® is delivered with NBR elastomeric seals as standard. For more details on other seal materials see page J73-J74.

Part numbers shown are part of our current manufacturing programme.

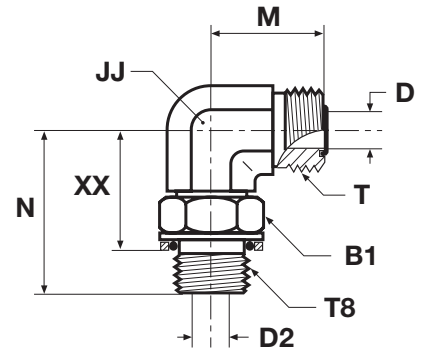
Imperial and metric parts may vary in hexagon dimensions.

$$\frac{\text{PN (bar)}}{10} = \text{PN (MPa)}$$

Pressure ratings – PN shown, apply to Steel and Stainless Steel versions of the product.

C8OMLO Male stud elbow

O-Lok® ORFS tube end / Male metric thread – O-ring + retaining ring



Tube O.D.		Thread metric T8	Thread UN/UNF-2A T	B1 mm	D mm	D2 mm	JJ mm	M mm	N mm	XX mm	Weight (steel) g/1 piece	O-Lok® Steel	PN (bar)
mm	in.												
6	1/4	M12×1.5	9/16-18	17	5	4	14	22	33	23	52	4M12C8OMLOS	250
6	1/4	M14×1.5	9/16-18	17	5	6	14	24	36	24	58	4M14C8OMLOS	250
8, 10	5/16, 3/8	M14×1.5	11/16-16	17	7	6	19	25	36	24	62	6M14C8OMLOS	250
8, 10	5/16, 3/8	M16×1.5	11/16-16	19	7	7	19	25	38	26	65	6M16C8OMLOS	250
12	1/2	M16×1.5	13/16-16	19	10	7	19	28	38	26	82	8M16C8OMLOS	250
12	1/2	M18×1.5	13/16-16	22	10	9	19	28	41	29	161	8M18C8OMLOS	250
14, 15, 16	5/8	M18×1.5	1-14	22	13	9	27	33	48	33	185	10M18C8OMLOS	250
14, 15, 16	5/8	M22×1.5	1-14	27	13	12	27	33	49	35	214	10M22C8OMLOS	250
18, 20	3/4	M27×2	1 3/16-12	32	16	15	30	37	56	39	440	12M27C8OMLOS	250
22, 25	1	M33×2	1 7/16-12	38	21	20	36	42	59	43	501	16M33C8OMLOS	140
28, 30, 32	1 1/4	M42×2	1 11/16-12	50	26	26	41	45	63	46	561	20M42C8OMLOS	140
35, 38	1 1/2	M48×2	2-12	55	32	32	50	49	72	49	684	24M48C8OMLOS	140

O-Lok® is delivered with NBR elastomeric seals as standard. For more details on other seal materials see page J73–J74.

Part numbers shown are part of our current manufacturing programme.

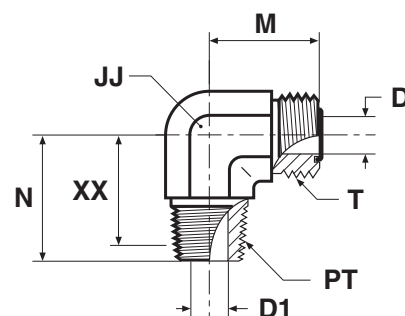
Imperial and metric parts may vary in hexagon dimensions.

$$\frac{\text{PN (bar)}}{10} = \text{PN (MPa)}$$

CLO Male stud elbow

O-Lok® ORFS tube end / Male NPTF* thread (SAE J476)

*Stainless Steel = NPT to prevent galling



Tube O.D. mm	Tube O.D. in.	Thread NPTF PT	Thread UN/UNF-2A T	D mm	D1 mm	JJ mm	M mm	N mm	XX mm	Weight (steel) g/1 piece	O-Lok®		PN (bar)	
											Steel	Stainless Steel	S	SS
6	1/4	1/8-27	9/16-18	5	5	14	22	20	15	39	4 CLO-S	4 CLO-SS	420	420
6	1/4	1/4-18	9/16-18	5	7	14	22	29	20	50	4-4 CLO-S	4-4 CLO-SS	420	420
8, 10	5/16, 3/8	1/4-18	11/16-16	7	7	19	25	28	19	75	6 CLO-S	6 CLO-SS	420	420
8, 10	5/16, 3/8	3/8-18	11/16-16	7	10	19	25	31	22	81	6-6 CLO-S	6-6 CLO-SS	420	420
8, 10	5/16, 3/8	1/2-14	11/16-16	7	13	22	29	37	26	84	6-8 CLO-S	6-8 CLO-SS	420	420
12	1/2	3/8-18	13/16-16	10	10	19	28	31	22	89	8 CLO-S	8 CLO-SS	420	420
12	1/2	1/2-14	13/16-16	10	13	22	28	37	26	125	8-8 CLO-S	8-8 CLO-SS	420	420
12	1/2	3/4-14	13/16-16	10	18	27	34	40	28	168	8-12 CLO-S	8-12 CLO-SS	280	280
14, 15, 16	5/8	1/2-14	1-14	13	13	27	33	37	26	154	10 CLO-S	10 CLO-SS	420	420
14, 15, 16	5/8	3/4-14	1-14	13	18	30	36	40	28	237	10-12 CLO-S	10-12 CLO-SS	280	280
18, 20	3/4	3/4-14	1 3/16-12	16	18	30	37	40	28	246	12 CLO-S	12 CLO-SS	280	280
18, 20	3/4	1/2-14	1 3/16-12	16	13	30	37	40	29	257	12-8 CLO-S	12-8 CLO-SS	420	420
18, 20	3/4	1-11 1/2	1 3/16-12	16	24	33	41	50	36	363	12-16 CLO-S	12-16 CLO-SS	210	210
22, 25	1	1-11 1/2	1 7/16-12	21	24	37	42	50	36	387	16 CLO-S	16 CLO-SS	210	210
22, 25	1	3/4-14	1 7/16-12	21	18	37	42	45	33	401	16-12 CLO-S	16-12 CLO-SS	280	280
28, 30, 32	1 1/4	1 1/4-11 1/2	1 11/16-12	26	32	41	45	61	46	469	20 CLO-S	20 CLO-SS	175	175
35, 38	1 1/2	1 1/2-11 1/2	2-12	32	38	48	49	67	52	603	24 CLO-S	24 CLO-SS	175	175

O-Lok® is delivered with NBR elastomeric seals as standard. For more details on other seal materials see page J73-J74.

Part numbers shown are part of our current manufacturing programme.

Imperial and metric parts may vary in hexagon dimensions.

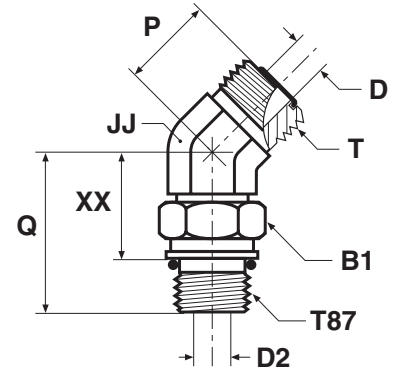
$$\frac{\text{PN (bar)}}{10} = \text{PN (MPa)}$$

Pressure ratings – PN shown, apply to Steel and Stainless Steel versions of the product.

J

V87OMLO 45° male stud elbow

O-Lok® ORFS tube end / Male metric thread – O-ring (ISO 6149-2)
 SAE 52M0387 ISO 8434-3 SDE45



Tube O.D. mm	Tube O.D. in.	Thread metric T87	Thread UN/UNF-2A T	B1 mm	D mm	D2 mm	JJ mm	P mm	Q mm	XX mm	Weight (steel) g/1 piece	O-Lok®		PN (bar)	
												Steel	Stainless Steel	S	SS
6	1/4	M12×1.5	9/16-18	17	5	4	14	16	30	19	44	4M12V87OMLOS	4M12V87OMLOSS	420	420
8, 10	5/16, 3/8	M16×1.5	11/16-16	22	7	7	19	19	33	19	82	6M16V87OMLOS	6M16V87OMLOSS	420	420
12	1/2	M18×1.5	13/16-16	24	10	9	19	20	37	23	110	8M18V87OMLOS	8M18V87OMLOSS	420	420
14, 15, 16	5/8	M22×1.5	1-14	27	13	12	27	23	43	29	190	10M22V87OMLOS	10M22V87OMLOSS	420	420
18, 20	3/4	M27×2	1 3/16-12	32	16	15	30	26	50	32	288	12M27V87OMLOS	12M27V87OMLOSS	420	420
22, 25	1	M33×2	1 7/16-12	41	21	20	36	30	52	34	300	16M33V87OMLOS	16M33V87OMLOSS	420	420
28, 30, 32	1 1/4	M42×2	1 11/16-12	50	26	26	41	32	54	35	444	20M42V87OMLOS	20M42V87OMLOSS	280	280
35, 38	1 1/2	M48×2	2-12	55	32	32	50	37	56	35	569	24M48V87OMLOS		280	—

O-Lok® is delivered with NBR elastomeric seals as standard. For more details on other seal materials see page J73–J74.

Part numbers shown are part of our current manufacturing programme.

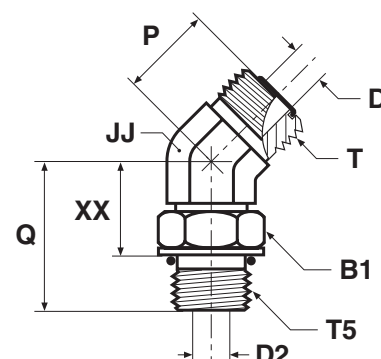
Imperial and metric parts may vary in hexagon dimensions.

$$\frac{\text{PN (bar)}}{10} = \text{PN (MPa)}$$

Pressure ratings – PN shown, apply to Steel and Stainless Steel versions of the product.

V5OMLO 45° male stud elbow

O-Lok® ORFS tube end / Adjustable UN/UNF thread O-ring (ISO 11926)
SAE 520320



Tube O.D.		Thread UN/UNF-2A T5	Thread UN/UNF-2A T	B1	D	D2	JJ	P	Q	XX	Weight (steel)	O-Lok® Steel	O-Lok® Stainless Steel	PN (bar)	
mm	in.			mm	mm	mm	mm	mm	mm	mm	g/1 piece			S	SS
6	1/4	7/16-20	9/16-18	17	5	5	14	16	30	19	45	4V5OMLOS	4V5OMLOSS	630	420
6	1/4	9/16-18	9/16-18	19	5	8	19	17	33	21	76	4-6 V5OLO-S	4-6V5OMLOSS	630	420
8, 10	5/16, 3/8	9/16-18	11/16-16	19	7	8	19	19	33	21	83	6 V5OLO-S	6V5OMLOSS	630	420
8, 10	5/16, 3/8	7/16-20	11/16-16	16	7	5	19	19	31	20	64	6-4 V5OLO-S	6-4V5OMLOSS	630	420
8, 10	5/16, 3/8	3/4-16	11/16-16	24	7	10	19	19	36	23	96	6-8 V5OLO-S	6-8V5OMLOSS	630	420
12	1/2	3/4-16	13/16-16	24	10	10	19	20	36	23	117	8V5OMLOS	8V5OMLOSS	630	420
12	1/2	9/16-18	13/16-16	19	10	7	19	20	32	20	71	8-6 V5OLO-S	8-6V5OMLOSS	630	420
12	1/2	7/8-14	13/16-16	27	10	13	27	21	45	29	147	8-10 V5OLO-S	8-10V5OMLOSS	420	420
14, 15, 16	5/8	7/8-14	1-14	27	13	13	27	23	45	29	194	10 V5OLO-S	10V5OMLOSS	420	420
14, 15, 16	5/8	3/4-16	1-14	24	12	10	27	23	40	27	192	10-8 V5OLO-S	10-8V5OMLOSS	420	420
14, 15, 16	5/8	1 1/16-12	1-14	36	12	16	30	24	50	32	207	10-12 V5OLO-S	10-12V5OMLOSS	420	420
18, 20	3/4	1 1/16-12	1 3/16-12	35	16	16	30	26	50	32	294	12 V5OLO-S	12V5OMLOSS	420	420
18, 20	3/4	7/8-14	1 3/16-12	27	16	12	30	26	46	30	219	12-10 V5OLO-S	12-10V5OMLOSS	420	420
18, 20	3/4	1 5/16-12	1 3/16-12	41	16	21	37	30	52	34	322	12-16 V5OLO-S	12-16V5OMLOSS	420	380
22, 25	1	1 5/16-12	1 7/16-12	38	21	21	37	30	52	34	394	16 V5OLO-S	16V5OMLOSS	420	380
22, 25	1	1 1/16-12	1 7/16-12	36	21	16	36	30	52	33	337	16-12V5OMLOS	16-12V5OMLOSS	420	420
22, 25	1	1 5/8-12	1 7/16-12	48	21	31	41	32	54	35	511	16-20 V5OLO-S	16-20V5OMLOSS	420	280
28, 30, 32	1 1/4	1 5/8-12	1 11/16-12	48	26	26	41	32	54	35	447	20 V5OLO-S	20V5OMLOSS	350	280
35, 38	1 1/2	1 7/8-12	2-12	54	32	32	48	37	54	35	571	24 V5OLO-S	24V5OMLOSS	280	280

O-Lok® is delivered with NBR elastomeric seals as standard. For more details on other seal materials see page J73-J74.

Part numbers shown are part of our current manufacturing programme.

Imperial and metric parts may vary in hexagon dimensions.

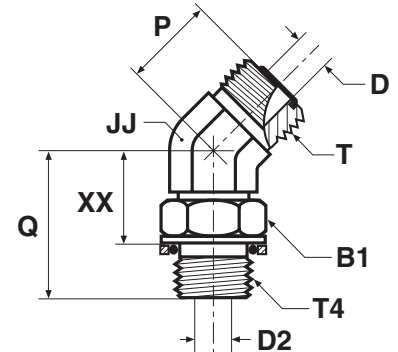
$$\frac{\text{PN (bar)}}{10} = \text{PN (MPa)}$$

Pressure ratings – PN shown, apply to Steel and Stainless Steel versions of the product.

J

V4OMLO 45° male stud elbow

O-Lok® ORFS tube end / Adjustable BSPP thread O-ring + retaining ring (ISO 1179)



Tube O.D.		Thread BSPP T4	Thread UN/UNF-2A T	B1 mm	D mm	D2 mm	JJ mm	P mm	Q mm	XX mm	Weight (steel) g/1 piece	O-Lok®		PN (bar)	
mm	in.											Steel	Stainless Steel	S	SS
6	1/4	1/8	9/16-18	14	5	4	14	16	28	19	38	4V4OMLOS	4V4OMLOSS	250	250
6	1/4	1/4	9/16-18	19	5	8	19	17	33	21	43	4-4V4OMLOS	4-4V4OMLOSS	250	200
8, 10	5/16, 3/8	1/4	11/16-16	19	7	8	19	19	32	21	83	6V4OMLOS	6V4OMLOSS	250	200
8, 10	5/16, 3/8	3/8	11/16-16	22	7	10	19	19	34	23	95	6-6V4OMLOS	6-6V4OMLOSS	250	200
8, 10	5/16, 3/8	1/2	11/16-16	27	7	12	27	19	43	28	107	6-8V4OMLOS	6-8V4OMLOSS	250	200
12	1/2	3/8	13/16-16	22	10	10	19	20	34	23	117	8V4OMLOS	8V4OMLOSS	250	200
14, 15, 16	5/8	1/2	1-14	27	13	12	27	23	43	29	191	10V4OMLOS	10V4OMLOSS	250	200
14, 15, 16	5/8	3/4	1-14	36	13	16	30	24	46	31	227	10-12V4OMLOS	10-12V4OMLOSS	250	200
18, 20	3/4	3/4	1 3/16-12	36	16	16	30	26	46	31	294	12V4OMLOS	12V4OMLOSS	250	200
18, 20	3/4	1	1 3/16-12	41	16	22	36	30	51	34	325	12-16V4OMLOS	12-16V4OMLOSS	250	200
22, 25	1	1	1 7/16-12	41	21	22	36	30	51	34	394	16V4OMLOS	16V4OMLOSS	250	200
28, 30, 32	1 1/4	1 1/4	1 11/16-12	50	26	28	41	32	52	35	430	20V4OMLOS	20V4OMLOSS	210	160
35, 38	1 1/2	1 1/2	2-12	55	32	33	50	37	52	35	551	24V4OMLOS	24V4OMLOSS	140	140

O-Lok® is delivered with NBR elastomeric seals as standard. For more details on other seal materials see page J73-J74.

Part numbers shown are part of our current manufacturing programme.

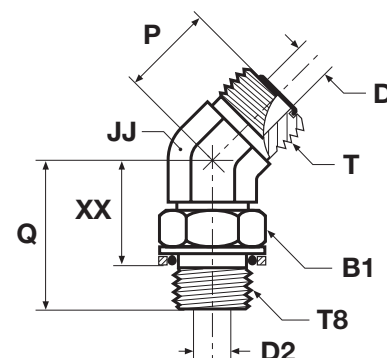
Imperial and metric parts may vary in hexagon dimensions.

$$\frac{\text{PN (bar)}}{10} = \text{PN (MPa)}$$

Pressure ratings – PN shown, apply to Steel and Stainless Steel versions of the product.

V8OMLO 45° male stud elbow

O-Lok® ORFS tube end / Male metric thread – O-ring + retaining ring



Tube O.D.		Thread metric T8	Thread UN/UNF-2A T	B1 mm	D mm	D2 mm	JJ mm	P mm	Q mm	XX mm	Weight (steel) g/1 piece	O-Lok® Steel	PN (bar)
mm	in.												
6	1/4	M12×1.5	9/16-18	17	5	4	14	16	30	20	44	4M12V8OMLOS	250
10	3/8	M16×1.5	11/16-16	19	7	7	19	19	33	22	82	6M16V8OMLOS	250
12	1/2	M14×1.5	13/16-16	17	10	6	19	20	31	20	92	8M14V8OMLOS	250
12	1/2	M18×1.5	13/16-16	22	10	9	19	20	37	25	110	8M18V8OMLOS	250
14, 15, 16	5/8	M18×1.5	1-14	27	13	9	27	24	43	30	160	10M18V8OMLOS	250
14, 15, 16	5/8	M22×1.5	1-14	27	13	12	27	23	43	30	190	10M22V8OMLOS	250
18, 20	3/4	M27×2	1 3/16-12	32	16	15	30	26	50	34	288	12M27V8OMLOS	250
22, 25	1	M33×2	1 7/16-12	38	21	20	36	30	52	36	300	16M33V8OMLOS	140
28, 30, 32	1 1/4	M42×2	1 11/16-12	50	26	26	41	32	54	37	444	20M42V8OMLOS	140
35, 38	1 1/2	M48×2	2-12	55	32	32	50	37	56	37	568	24M48V8OMLOS	140

O-Lok® is delivered with NBR elastomeric seals as standard. For more details on other seal materials see page J73–J74.

Part numbers shown are part of our current manufacturing programme.

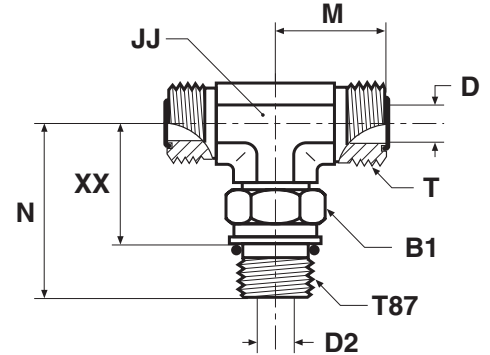
Imperial and metric parts may vary in hexagon dimensions.

$$\frac{\text{PN (bar)}}{10} = \text{PN (MPa)}$$

J

S87OMLO Male stud branch tee

O-Lok® ORFS tube ends / Adjustable metric thread – O-ring (ISO 6149)
 SAE 52M0489 ISO 8434-3 SDBT



Tube O.D. mm	Tube O.D. in.	Thread metric T87	Thread UN/UNF-2A T	B1 mm	D mm	D2 mm	JJ mm	M mm	N mm	XX mm	Weight (steel) g/1 piece	O-Lok®		PN (bar)	
												Steel	Stainless Steel	S	SS
6	1/4	M12×1.5	9/16-18	17	5	4	14	22	33	22	66	4M12S87OMLOS	4M12S87OMLOSS	420	420
8, 10	5/16, 3/8	M16×1.5	11/16-16	22	7	7	19	25	37	27	131	6M16S87OMLOS	6M16S87OMLOSS	420	420
12	1/2	M18×1.5	13/16-16	24	10	9	19	28	41	27	187	8M18S87OMLOS	8M18S87OMLOSS	420	420
14, 15, 16	5/8	M22×1.5	1-14	27	13	12	27	33	49	34	283	10M22S87OMLOS	10M22S87OMLOSS	420	420
18, 20	3/4	M27×2	1 3/16-12	32	16	15	30	37	55	37	549	12M27S87OMLOS	12M27S87OMLOSS	420	420
22, 25	1	M33×2	1 7/16-12	41	21	20	36	42	59	41	565	16M33S87OMLOS	16M33S87OMLOSS	420	420
28, 30, 32	1 1/4	M42×2	1 11/16-12	50	26	26	41	45	62	44	824	20M42S87OMLOS	20M42S87OMLOSS	280	280
35, 38	1 1/2	M48×2	2-12	55	32	32	48	49	69	48	940	24M48S87OMLOS		280	—

O-Lok® is delivered with NBR elastomeric seals as standard. For more details on other seal materials see page J73–J74.

Part numbers shown are part of our current manufacturing programme.

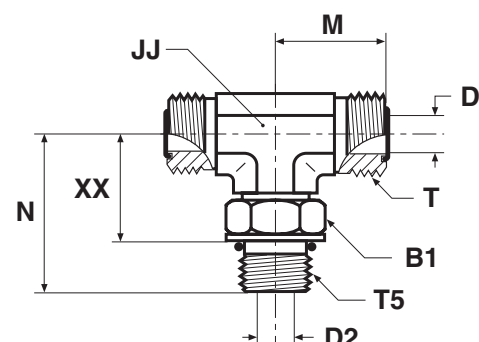
Imperial and metric parts may vary in hexagon dimensions.

$$\frac{\text{PN (bar)}}{10} = \text{PN (MPa)}$$

Pressure ratings – PN shown, apply to Steel and Stainless Steel versions of the product.

S50MLO Male stud branch tee

O-Lok® ORFS tube end / Adjustable UN/UNF thread O-ring (ISO 11926)
SAE 520429



Tube O.D. mm	Tube O.D. in.	Thread UN/UNF-2A T5	Thread UN/UNF-2A T	B1 mm	D mm	D2 mm	JJ mm	M mm	N mm	XX mm	Weight (steel) g/1 piece	O-Lok®		PN (bar)	
												Steel	Stainless Steel	S	SS
6	1/4	7/16-20	9/16-18	16	5	5	14	22	33	22	67	4 S50LO-S	4 S50LO-SS	420	420
8, 10	5/16, 3/8	9/16-18	11/16-16	19	7	8	19	25	37	25	131	6S50MLOS	6 S50LO-SS	420	420
8, 10	5/16, 3/8	3/4-16	11/16-16	24	10	10	19	26	41	27	160	6-6-8 S50LO-S	6-6-8 S50LO-SS	420	420
12	1/2	3/4-16	13/16-16	24	10	10	19	28	41	27	187	8 S50LO-S	8 S50LO-SS	420	420
14, 15, 16	5/8	7/8-14	1-14	27	13	12	27	33	50	34	279	10 S50LO-S	10 S50LO-SS	420	420
18, 20	3/4	1 1/16-12	1 3/16-12	36	16	16	30	37	55	37	441	12 S50LO-S	12 S50LO-SS	420	420
18, 20	3/4	1 5/16-12	1 3/16-12	42	18	21	37	42	60	41	500	12-12-16 S50LO-S	12-12-16 S50LO-SS	380	380
22, 25	1	1 5/16-12	1 7/16-12	41	21	21	37	42	60	41	539	16 S50LO-S	16 S50LO-SS	380	380
28, 30, 32	1 1/4	1 5/8-12	1 11/16-12	48	26	26	41	45	62	44	851	20 S50LO-S		280	—
35, 38	1 1/2	1 7/8-12	2-12	54	32	32	48	49	66	47	942	24 S50LO-S		280	—

O-Lok® is delivered with NBR elastomeric seals as standard. For more details on other seal materials see page J73–J74.

Part numbers shown are part of our current manufacturing programme.

Imperial and metric parts may vary in hexagon dimensions.

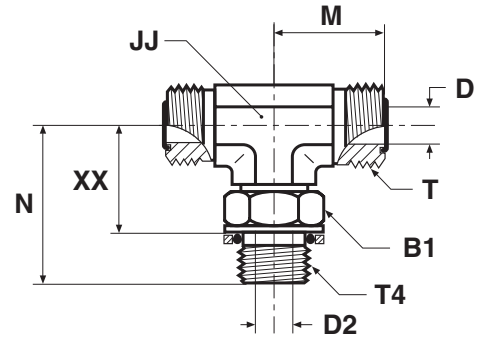
$$\frac{\text{PN (bar)}}{10} = \text{PN (MPa)}$$

Pressure ratings – PN shown, apply to Steel and Stainless Steel versions of the product.

J

S4OMLO Male stud branch tee

O-Lok® ORFS tube end / Adjustable BSPP thread O-ring + retaining ring (ISO 1179)



Tube O.D.		Thread BSPP T4	Thread UN/UNF-2A T	B1 mm	D mm	D2 mm	JJ mm	M mm	N mm	XX mm	Weight (steel) g/1 piece	O-Lok®		PN (bar)	
mm	in.											Steel	Stainless Steel	S	SS
6	1/4	1/8	9/16-18	14	5	4	14	22	30	22	69	4S4OMLOS	4S4OMLOSS	250	250
6	1/4	1/4	9/16-18	19	5	8	19	24	36	25	97	4-4-4S4OMLOS	4-4-4S4OMLOSS	250	200
8, 10	5/16, 3/8	1/4	11/16-16	19	7	8	19	25	36	25	127	6S4OMLOS	6S4OMLOSS	250	200
8, 10	5/16, 3/8	3/8	11/16-16	22	7	10	19	27	38	27	126	6-6-6S4OMLOS	6-6-6S4OMLOSS	250	200
12	1/2	3/8	13/16-16	22	10	10	19	28	38	27	146	8S4OMLOS	8S4OMLOSS	250	200
12	1/2	1/2	13/16-16	27	10	12	27	31	49	34	174	8-8-8S4OMLOS	8-8-8S4OMLOSS	250	200
14, 15, 16	5/8	1/2	1-14	27	13	12	27	33	49	34	288	10S4OMLOS	10S4OMLOSS	250	200
14, 15, 16	5/8	3/4	1-14	36	13	16	30	36	52	37	314	10-10-12S4OMLOS	10-10-12S4OMLOSS	250	200
18, 20	3/4	3/4	1 3/16-12	36	16	16	30	37	52	37	531	12S4OMLOS	12S4OMLOSS	250	200
22, 25	1	1	1 7/16-12	41	21	22	36	42	58	41	600	16S4OMLOS	16S4OMLOSS	250	200
28, 30, 32	1 1/4	1 1/4	1 11/16-12	50	26	28	41	45	61	44	850	20S4OMLOS	20S4OMLOSS	210	160
35, 38	1 1/2	1 1/2	2-12	55	32	33	50	49	65	47	940	24S4OMLOS		140	—

O-Lok® is delivered with NBR elastomeric seals as standard. For more details on other seal materials see page J73-J74.

Part numbers shown are part of our current manufacturing programme.

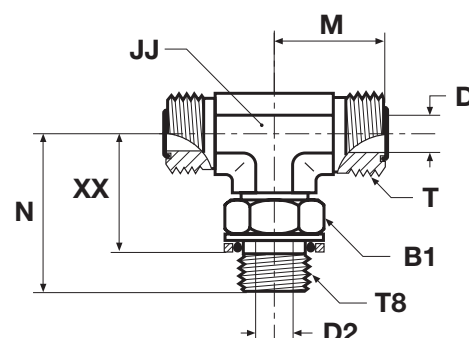
Imperial and metric parts may vary in hexagon dimensions.

$$\frac{PN \text{ (bar)}}{10} = PN \text{ (MPa)}$$

Pressure ratings – PN shown, apply to Steel and Stainless Steel versions of the product.

S8OMLO Male stud branch tee

O-Lok® ORFS tube end / Adjustable metric thread – O-ring + retaining ring



Tube O.D.		Thread metric T8	Thread UN/UNF-2A T	B1 mm	D mm	D2 mm	JJ mm	M mm	N mm	XX mm	Weight (steel) g/1 piece	O-Lok® Steel	PN (bar)
mm	in.												
6	1/4	M12×1.5	9/16-18	17	5	4	14	22	33	23	66	4M12S8OMLOS	250
8, 10	5/16, 3/8	M16×1.5	11/16-16	19	7	7	19	25	37	26	131	6M16S8OMLOS	250
12	1/2	M18×1.5	13/16-16	22	10	9	19	28	41	29	187	8M18S8OMLOS	250
14, 15, 16	5/8	M22×1.5	1-14	27	13	12	27	33	49	35	283	10M22S8OMLOS	250
18, 20	3/4	M27×2	1 3/16-12	32	16	15	30	37	55	39	550	12M27S8OMLOS	250
22, 25	1	M33×2	1 7/16-12	38	21	20	36	42	59	43	566	16M33S8OMLOS	140
28, 30, 32	1 1/4	M42×2	1 11/16-12	50	26	26	41	45	62	46	824	20M42S8OMLOS	140
35, 38	1 1/2	M48×2	2-12	55	32	32	48	49	69	49	940	24M48S8OMLOS	140

O-Lok® is delivered with NBR elastomeric seals as standard. For more details on other seal materials see page J73–J74.

Part numbers shown are part of our current manufacturing programme.

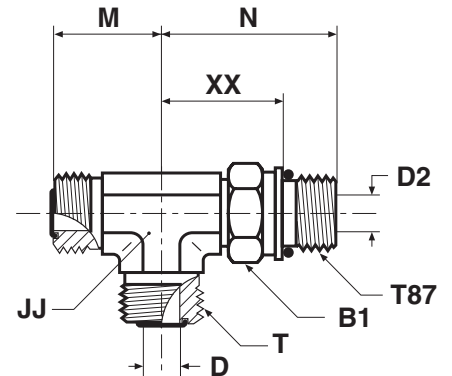
Imperial and metric parts may vary in hexagon dimensions.

$$\frac{\text{PN (bar)}}{10} = \text{PN (MPa)}$$

J

R87OMLO Male stud run tee

O-Lok® ORFS tube ends / Adjustable metric thread – O-ring (ISO 6149)
 SAE 52M0488 ISO 8434-3 SDRT



Tube O.D. mm	Tube O.D. in.	Thread metric T87	Thread UN/UNF-2A T	B1 mm	D mm	D2 mm	JJ mm	M mm	N mm	XX mm	Weight (steel) g/1 piece	O-Lok®		PN (bar)	
												Steel	Stainless Steel	S	SS
6	1/4	M12×1.5	9/16-18	17	5	4	14	22	33	22	66	4M12R87OMLOS	4M12R87OMLOSS	420	420
8, 10	5/16, 3/8	M16×1.5	11/16-16	22	7	7	19	25	38	27	131	6M16R87OMLOS	6M16R87OMLOSS	420	420
12	1/2	M18×1.5	13/16-16	24	10	9	19	28	41	27	187	8M18R87OMLOS	8M18R87OMLOSS	420	420
14, 15, 16	5/8	M22×1.5	1-14	27	13	12	27	33	49	34	283	10M22R87OMLOS	10M22R87OMLOSS	420	420
18, 20	3/4	M27×2	1 3/16-12	32	16	15	30	37	55	37	549	12M27R87OMLOS	12M27R87OMLOSS	420	420
22, 25	1	M33×2	1 7/16-12	41	21	20	36	42	59	41	565	16M33R87OMLOS	16M33R87OMLOSS	420	420
28, 30, 32	1 1/4	M42×2	1 11/16-12	50	26	26	41	45	63	44	824	20M42R87OMLOS	20M42R87OMLOSS	280	280
35, 38	1 1/2	M48×2	2-12	55	32	32	48	49	69	47	940	24M48R87OMLOS		280	—

O-Lok® is delivered with NBR elastomeric seals as standard. For more details on other seal materials see page J73–J74.

Part numbers shown are part of our current manufacturing programme.

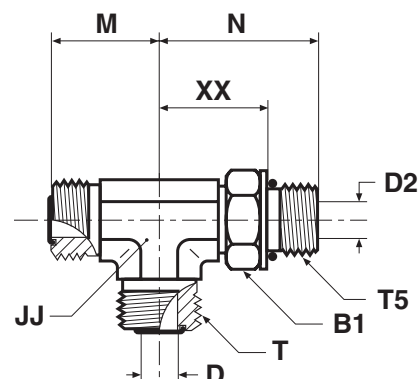
Imperial and metric parts may vary in hexagon dimensions.

$$\frac{\text{PN (bar)}}{10} = \text{PN (MPa)}$$

Pressure ratings – PN shown, apply to Steel and Stainless Steel versions of the product.

R50MLO Male stud run tee

O-Lok® ORFS tube end / Adjustable UN/UNF thread O-ring (ISO 11926)
SAE 520428



Tube O.D.		Thread UN/UNF-2A T5	Thread UN/UNF-2A T	B1 mm	D mm	D2 mm	JJ mm	M mm	N mm	XX mm	Weight (steel) g/1 piece	O-Lok®		PN (bar)	
mm	in.											Steel	Stainless Steel	S	SS
6	1/4	7/16-20	9/16-18	16	5	5	14	22	33	22	67	4 R50LO-S	4 R50LO-SS	420	420
8, 10	5/16, 3/8	9/16-18	11/16-16	19	7	8	19	25	37	25	131	6R50MLOS	6 R50LO-SS	420	420
12	1/2	3/4-16	13/16-16	24	10	10	19	28	41	27	187	8 R50LO-S	8 R50LO-SS	420	420
14, 15, 16	5/8	7/8-14	1-14	27	13	13	27	33	50	34	288	10 R50LO-S	10 R50LO-SS	420	420
18, 20	3/4	1 1/16-12	1 3/16-12	35	16	16	30	37	55	37	558	12 R50LO-S	12 R50LO-SS	420	420
18, 20	3/4	1 5/16-12	1 3/16-12	41	16	21	37	41	60	41	560	12-16-12 R50LO-S	12-16-12 R50LO-SS	380	380
22, 25	1	1 5/16-12	1 7/16-12	41	21	21	37	42	60	41	566	16 R50LO-S	16 R50LO-SS	380	380
28, 30, 32	1 1/4	1 5/8-12	1 11/16-12	48	26	26	41	45	62	44	825	20 R50LO-S	20 R50LO-SS	280	280
35, 38	1 1/2	1 7/8-12	2-12	54	32	32	48	49	66	47	942	24 R50LO-S	24 R50LO-SS	280	280

O-Lok® is delivered with NBR elastomeric seals as standard. For more details on other seal materials see page J73-J74.

Part numbers shown are part of our current manufacturing programme.

Imperial and metric parts may vary in hexagon dimensions.

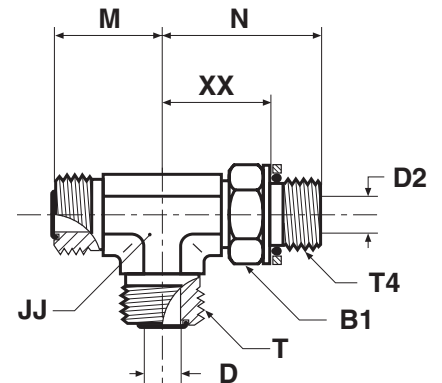
$$\frac{\text{PN (bar)}}{10} = \text{PN (MPa)}$$

Pressure ratings – PN shown, apply to Steel and Stainless Steel versions of the product.



R4OMLO Male stud run tee

O-Lok® ORFS tube ends / Adjustable BSPP thread O-ring + retaining ring (ISO 1179)



Tube O.D.		Thread BSPP T4	Thread UN/UNF-2A T	B1 mm	D mm	D2 mm	JJ mm	M mm	N mm	XX mm	Weight (steel) g/1 piece	O-Lok®		PN (bar)	
mm	in.											Steel	Stainless Steel	S	SS
6	1/4	1/8	9/16-18	14	5	4	14	22	30	22	69	4R4OMLOS	4R4OMLOSS	250	250
6	1/4	1/4	9/16-18	19	5	8	19	24	36	25	97	4-4-4R4OMLOS	4-4-4R4OMLOSS	250	200
8, 10	5/16, 3/8	1/4	11/16-16	19	7	8	19	25	36	25	127	6R4OMLOS	6R4OMLOSS	250	200
8, 10	5/16, 3/8	3/8	11/16-16	22	7	10	19	27	38	27	126	6-6-6R4OMLOS	6-6-6R4OMLOSS	250	200
12	1/2	3/8	13/16-16	22	10	10	19	28	38	27	146	8R4OMLOS	8R4OMLOSS	250	200
12	1/2	1/2	13/16-16	27	10	12	27	31	49	34	174	8-8-8R4OMLOS	8-8-8R4OMLOSS	250	200
14, 15, 16	5/8	1/2	1-14	27	13	12	27	33	49	34	288	10R4OMLOS	10R4OMLOSS	250	200
16		3/4	1-14	36	13	16	30	36	52	37	314	10-12-10R4OMLOS	10-12-10R4OMLOSS	250	200
18, 20	3/4	3/4	1 3/16-12	36	16	16	30	37	52	37	531	12R4OMLOS	12R4OMLOSS	250	200
18, 20	3/4	1	1 3/16-12	41	16	22	36	41	58	41	559	12-16-12R4OMLOS	12-16-12R4OMLOSS	250	200
22, 25	1	1	1 7/16-12	41	21	22	36	42	58	41	553	16R4OMLOS	16R4OMLOSS	250	200
28, 30, 32	1 1/4	1 1/4	1 11/16-12	50	26	28	41	45	61	44	824	20R4OMLOS	20R4OMLOSS	210	160
35, 38	1 1/2	1 1/2	2-12	55	32	32	50	49	65	47	940	24R4OMLOS		140	—

O-Lok® is delivered with NBR elastomeric seals as standard. For more details on other seal materials see page J73-J74.

Part numbers shown are part of our current manufacturing programme.

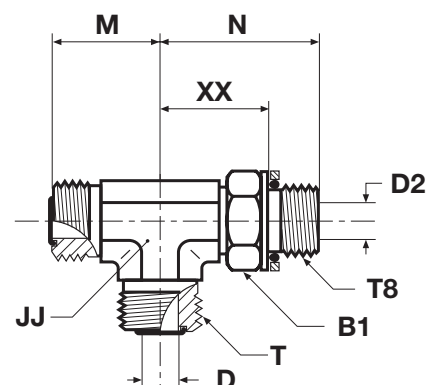
Imperial and metric parts may vary in hexagon dimensions.

$$\frac{\text{PN (bar)}}{10} = \text{PN (MPa)}$$

Pressure ratings – PN shown, apply to Steel and Stainless Steel versions of the product.

R8OMLO Male stud run tee

O-Lok® ORFS tube end / Adjustable metric thread – O-ring + retaining ring



Tube O.D.		Thread metric T8	Thread UN/UNF-2A T	B1 mm	D mm	D2 mm	JJ mm	M mm	N mm	XX mm	Weight (steel) g/1 piece	O-Lok® Steel	PN (bar)
mm	in.												
6	1/4	M12×1.5	9/16-18	17	5	4	14	22	33	23	66	4M12R8OMLOS	250
8, 10	5/16, 3/8	M16×1.5	11/16-16	19	7	7	19	25	38	26	131	6M16R8OMLOS	250
12	1/2	M18×1.5	13/16-16	22	10	9	19	28	41	29	187	8M18R8OMLOS	250
14, 15, 16	5/8	M22×1.5	1-14	27	13	12	27	33	49	35	283	10M22R8OMLOS	250
18, 20	3/4	M27×2	1 3/16-12	32	16	15	30	37	55	39	550	12M27R8OMLOS	250
22, 25	1	M33×2	1 7/16-12	38	21	20	36	42	59	43	566	16M33R8OMLOS	140
28, 30, 32	1 1/4	M42×2	1 11/16-12	50	26	26	41	45	63	46	824	20M42R8OMLOS	140
35, 38	1 1/2	M48×2	2-12	55	32	32	48	49	69	49	940	24M48R8OMLOS	140

O-Lok® is delivered with NBR elastomeric seals as standard. For more details on other seal materials see page J73–J74.

Part numbers shown are part of our current manufacturing programme.

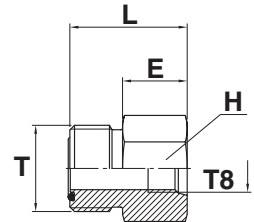
Imperial and metric parts may vary in hexagon dimensions.

$$\frac{\text{PN (bar)}}{10} = \text{PN (MPa)}$$

J

G87MLO Pressure gauge fitting

O-Lok® ORFS tube end / Female metric thread – O-ring (ISO 6149-1)
suitably for EMA link



Tube O.D.		Thread metric T8	Thread UN/UNF-2A T	E mm	H mm	L mm	Weight (steel) g/1 piece	O-Lok® Steel	O-Lok® Stainless Steel	PN (bar)	
mm	in.									S	SS
6	1/4	M14×1.5	9/16-18	19	19	29	20	4M14G87MLOS	4M14G87MLOSS	630	630
8, 10	5/16, 3/8	M14×1.5	11/16-18	19	19	30	44	6M14G87MLOS	6M14G87MLOSS	630	630
12	1/2	M14×1.5	13/16-16	19	22	32	66	8M14G87MLOS	8M14G87MLOSS	630	630
14, 15, 16	5/8	M14×1.5	1-14	19	27	35	82	10M14G87MLOS	10M14G87MLOSS	420	420
18, 20	3/4	M14×1.5	1 3/16-12	19	32	36	104	12M14G87MLOS	12M14G87MLOSS	420	420

O-Lok® is delivered with NBR elastomeric seals as standard. For more details on other seal materials see page J73–J74.

Part numbers shown are part of our current manufacturing programme.

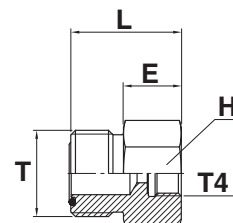
Imperial and metric parts may vary in hexagon dimensions.

$$\frac{\text{PN (bar)}}{10} = \text{PN (MPa)}$$

Pressure ratings – PN shown, apply to Steel and Stainless Steel versions of the product.

G4MLOSMO Pressure gauge connector

O-Lok® ORFS tube end / Female BSPP gauge thread (ISO 1179-1)



Tube O.D. mm	Tube O.D. in.	Thread BSPP T4	Thread UN/UNF-2A T	E mm	H mm	L mm	Weight (steel) g/1 piece	O-Lok®		PN (bar)	
								Steel	Stainless Steel	S	SS
6	1/4	1/4	9/16-18	19	17	27	32	4-4G4MLOSMO	4-4G4MLOSSMO	400	400
6	1/4	1/2	9/16-18	27	30	37	80	4-8G4MLOSMO	4-8G4MLOSSMO	400	400
8, 10	5/16, 3/8	1/4	11/16-16	17	19	28	49	6G4MLOSMO	6G4MLOSSMO	400	400
8, 10	5/16, 3/8	1/2	11/16-16	27	30	38	107	6-8G4MLOSMO	6-8G4MLOSSMO	400	400
12	1/2	1/4	13/16-16	17	22	30	60	8-4G4MLOSMO	8-4G4MLOSSMO	280	280
12	1/2	1/2	13/16-16	27	30	40	80	8-8G4MLOSMO	8-8G4MLOSSMO	280	280

O-Lok® is delivered with NBR elastomeric seals as standard. For more details on other seal materials see page J73–J74.

Part numbers shown are part of our current manufacturing programme.

Imperial and metric parts may vary in hexagon dimensions.

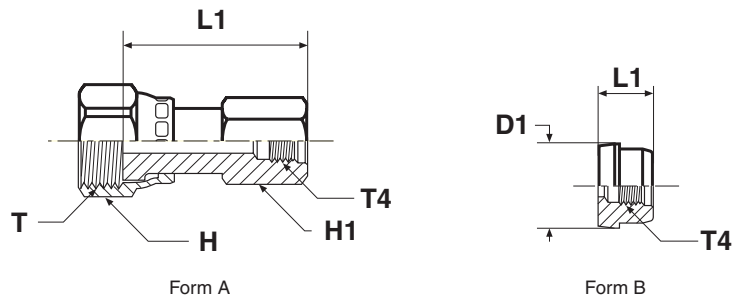
$$\frac{\text{PN (bar)}}{10} = \text{PN (MPa)}$$

Pressure ratings – PN shown, apply to Steel and Stainless Steel versions of the product.

J

TT4ML Test point connection

O-Lok® ORFS swivel female end / Female BSPP thread (ISO 1179-1)
for EMA3 test point



Form B has to be assembled with a nut BMLS/BLS.

Thread UN/UNF-2B T	Thread BSPP T4	D1 mm	H mm	H1 mm	L1 mm	Weight (steel) g/1 piece	Form	O-Lok®		PN (bar)	
								Steel	Stainless Steel	S	SS
9/16-18	1/4	—	17	19	38	60	A	4TT4MLS	4TT4MLSS	420	420
11/16-16	1/4	—	22	19	41	74	A	6TT4MLS	6TT4MLSS	420	420
13/16-16	1/4	—	24	19	43	91	A	8TT4MLS	8TT4MLSS	420	420
—	1/4	23	—	—	18	30	B	10TT4LS	10TT4MLSS	420	420
—	1/4	28	—	—	18	48	B	12TT4LS	12TT4MLSS	420	420
—	1/4	34	—	—	18	95	B	16TT4LS	16TT4MLSS	420	420
—	1/4	41	—	—	18	130	B	20TT4LS	20TT4MLSS	280	280
—	1/4	49	—	—	18	189	B	24TT4LS	24TT4MLSS	280	280

Part numbers shown are part of our current manufacturing programme.

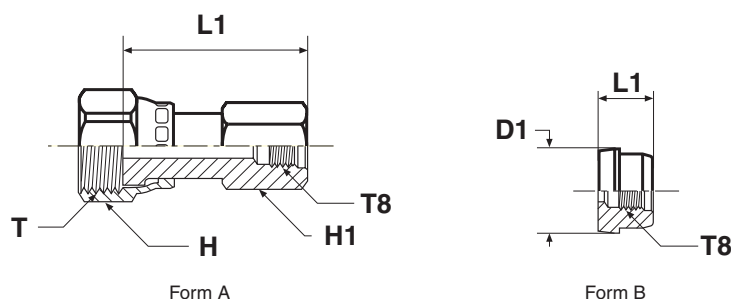
Imperial and metric parts may vary in hexagon dimensions.

$$\frac{\text{PN (bar)}}{10} = \text{PN (MPa)}$$

Pressure ratings – PN shown, apply to Steel and Stainless Steel versions of the product.

TT8ML Test point connection

O-Lok® ORFS female swivel end / Metric female thread
(Metric female thread designed for use with EMA3 connections only)



Form B has to be assembled with a nut BMLS/BLS.

Thread UN/UNF-2B T	Thread metric T8	D1 mm	H mm	H1 mm	L1 mm	Weight (steel) g/1 piece	Form	O-Lok® Steel	O-Lok® Stainless Steel	PN (bar)	
										S	SS
9/16-18	M10×1	—	17	19	37	86	A	4TT8MLS	4TT8MLSS	420	420
11/16-16	M10×1	—	22	19	39	86	A	6TT8MLS	6TT8MLSS	420	420
13/16-16	M10×1	—	24	19	43	123	A	8TT8MLS	8TT8MLSS	420	420
—	M10×1	23	—	—	16	40	B	10TT8LS	10TT8MLSS	420	420
—	M10×1	28	—	—	16	60	B	12TT8LS	12TT8MLSS	420	420
—	M10×1	34	—	—	16	85	B	16TT8LS	16TT8MLSS	420	420
—	M10×1	41	—	—	16	133	B	20TT8LS	20TT8MLSS	280	280
—	M10×1	48	—	—	16	193	B	24TT8LS	24TT8MLSS	280	280

Part numbers shown are part of our current manufacturing programme.

Imperial and metric parts may vary in hexagon dimensions.

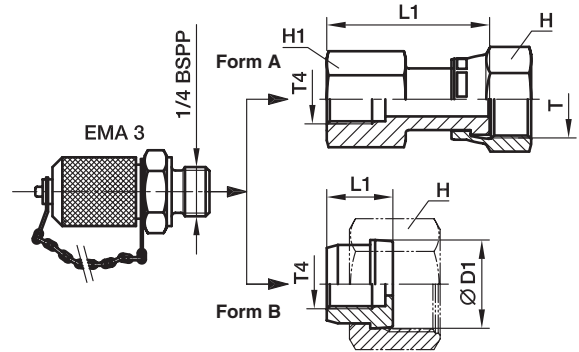
$$\frac{\text{PN (bar)}}{10} = \text{PN (MPa)}$$

Pressure ratings – PN shown, apply to Steel and Stainless Steel versions of the product.

J

TTP4ML Test point connection

O-Lok® ORFS female swivel end / EMA3 test point



Form B versions delivered complete with BMLS nut.

Thread UN/UNF-2B T	Thread BSPP T4	D1 mm	H mm	H1 mm	L1 mm	Weight (steel) g/1 piece	Form	O-Lok® Steel	PN (bar)
9/16-18	1/4	—	17	19	38	150	A	4TTP4MLS	420
11/16-16	1/4	—	22	19	41	164	A	6TTP4MLS	420
13/16-16	1/4	—	24	19	43	181	A	8TTP4MLS	420
—	1/4	23	30	—	18	120	B	10TTP4LS	420
—	1/4	28	36	—	18	138	B	12TTP4LS	420
—	1/4	34	41	—	18	185	B	16TTP4LS	420
—	1/4	41	50	—	18	200	B	20TTP4LS	280
—	1/4	49	60	—	18	279	B	24TTP4LS	280

O-Lok® is delivered with NBR elastomeric seals as standard. For more details on other seal materials see page J73–J74.

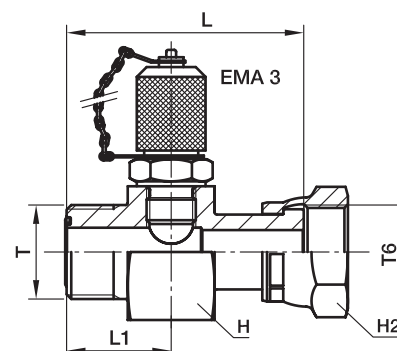
Part numbers shown are part of our current manufacturing programme.

Imperial and metric parts may vary in hexagon dimensions.

$$\frac{\text{PN (bar)}}{10} = \text{PN (MPa)}$$

R6P4MLO Test point connection

O-Lok® ORFS end / O-Lok® ORFS female swivel end / EMA3 test point



Tube O.D.		Thread UN/UNF-2A T	Thread UN/UNF-2B T6	L	L1	H	H2	Weight (steel) g/1 piece	O-Lok® Steel	PN (bar)
mm	in.			mm	mm	mm	mm			
6	1/4	9/16-18	9/16-18	50	22	36	17	270	4-4R6P4MLOS	420
8, 10	5/16, 3/8	11/16-16	11/16-16	53	23	36	22	300	6-4R6P4MLOS	420
12	1/2	13/16-16	13/16-16	58	25	36	24	308	8-4R6P4MLOS	420
14, 15, 16	5/8	1-14	1-14	64	27	36	30	337	10-4R6P4MLOS	420
18, 20	3/4	1 3/16-12	1 3/16-12	68	29	41	36	416	12-4R6P4MLOS	420
25	1	1 7/16-12	1 7/16-12	71	29	46	41	506	16-4R6P4MLOS	420
28, 30, 32	1 1/4	1 11/16-12	1 11/16-12	73	29	50	50	691	20-4R6P4MLOS	280
35, 38	1 1/2	2-12	2-12	74	29	60	60	995	24-4R6P4MLOS	280

O-Lok® is delivered with NBR elastomeric seals as standard. For more details on other seal materials see page J73–J74.

Part numbers shown are part of our current manufacturing programme.

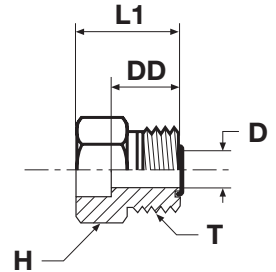
Imperial and metric parts may vary in hexagon dimensions.

$$\frac{\text{PN (bar)}}{10} = \text{PN (MPa)}$$

J

LOHB3* Braze connector

O-Lok® ORFS tube end / Braze socket
 SAE 520104 / SAE 52M0104 ISO 8434-3 BRS
 (*Parts delivered oil dipped finish only – steel)



Tube O.D.		Thread UN/UNF-2A T	D mm	DD mm	H in.	H mm	L1 mm	Weight (steel) g/1 piece	O-Lok® Steel	O-Lok® Stainless Steel	PN (bar)		
mm	in.										S	SS	
6		9/16-18	05	14	—	17	22	23	4-6MMLOHB3S		420	—	
		9/16-18	5	13	5/8	—	22	24	4 LOHB3-S	4 LOHB3-SS	420	420	
		9/16-18	5	13	5/8	—	22	23	4-6 LOHB3-S	4-6 LOHB3-SS	420	420	
		3/8	11/16-16	7	14	3/4	—	23	36	6 LOHB3-S	6 LOHB3-SS	420	420
		1/4	11/16-16	7	14	3/4	—	23	42	6-4 LOHB3-S	6-4 LOHB3-SS	420	420
		1/2	11/16-16	7	14	3/4	—	23	36	6-8 LOHB3-S	6-8 LOHB3-SS	420	420
		5/8	11/16-16	7	15	—	19	23	30	6-10 LOHB3-S	6-10 LOHB3-SS	420	420
		11/16-16	7	15	—	19	23	30	6-10MMLOHB3S		420	—	
12		13/16-16	10	16	—	22	25	42	8-12MMLOHB3S		420	—	
		13/16-16	10	16	7/8	—	25	44	8 LOHB3-S	8 LOHB3-SS	420	420	
		13/16-16	10	16	7/8	—	25	58	8-4 LOHB3-S	8-4 LOHB3-SS	420	420	
		3/8	13/16-16	10	16	7/8	—	25	43	8-6 LOHB3-S	8-6 LOHB3-SS	420	420
		5/8	13/16-16	10	16	7/8	—	25	42	8-10 LOHB3-S	8-10 LOHB3-SS	420	420
		3/4	13/16-16	10	17	1 1/16	—	30	74	8-12 LOHB3-S	8-12 LOHB3-SS	420	420
16		1-14	13	19	—	27	27	101	10-16MMLOHB3S		420	—	
		1-14	13	19	1 1/16	—	27	104	10 LOHB3-S	10 LOHB3-SS	420	420	
		3/8	1-14	13	19	1 1/16	—	27	99	10-6 LOHB3-S	10-6 LOHB3-SS	420	420
		1/2	1-14	13	19	1 1/16	—	27	96	10-8 LOHB3-S	10-8 LOHB3-SS	420	420
		3/4	1-14	13	19	1 1/16	—	31	97	10-12 LOHB3-S	10-12 LOHB3-SS	420	420
20		1 3/16-12	16	21	—	32	34	144	12-20MMLOHB3S		420	—	
		1 3/16-12	16	21	1 1/4	—	34	149	12 LOHB3-S	12 LOHB3-SS	420	420	
		1 3/16-12	16	21	1 1/4	—	30	174	12-8 LOHB3-S	12-8 LOHB3-SS	420	420	
		5/8	1 3/16-12	16	21	1 1/4	—	30	171	12-10 LOHB3-S	12-10 LOHB3-SS	420	420
		1	1 3/16-12	16	21	1 1/2	—	35	220	12-16 LOHB3-S	12-16 LOHB3-SS	420	420
25		1 7/16-12	21	25	—	41	39	218	16-25MMLOHB3S		420	—	
		1 7/16-12	21	25	1 1/2	—	39	225	16 LOHB3-S	16 LOHB3-SS	420	420	
		1 7/16-12	21	25	1 1/2	—	33	237	16-8 LOHB3-S	16-8 LOHB3-SS	420	420	
		3/4	1 7/16-12	21	25	1 1/2	—	37	228	16-12 LOHB3-S	16-12 LOHB3-SS	420	420
		1 1/4	1 7/16-12	21	25	1 3/4	—	39	276	16-20 LOHB3-S	16-20 LOHB3-SS	420	420
30		1 11/16-12	26	25	—	46	39	269	20-30MMLOHB3S		280	—	
		1 11/16-12	26	25	1 3/4	—	39	278	20 LOHB3-S	20 LOHB3-SS	280	280	
		1 11/16-12	26	25	1 3/4	—	39	278	20-16 LOHB3-S	20-16 LOHB3-SS	280	280	
		1 11/16-12	26	25	2 1/8	—	39	371	20-24 LOHB3-S	20-24 LOHB3-SS	280	280	
38		2-12	32	25	—	55	39	374	24-38MMLOHB3S		280	—	
		2-12	32	25	2 1/8	—	39	384	24 LOHB3-S	24 LOHB3-SS	280	280	
		2-12	32	25	2 1/8	—	39	442	24-20 LOHB3-S	24-20 LOHB3-SS	280	280	

O-Lok® is delivered with NBR elastomeric seals as standard. For more details on other seal materials see page J73-J74.

Part numbers shown are part of our current manufacturing programme.

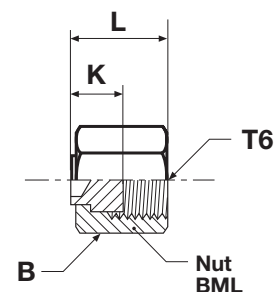
Imperial and metric parts may vary in hexagon dimensions.

$$\frac{\text{PN (bar)}}{10} = \text{PN (MPa)}$$

Pressure ratings – PN shown, apply to Steel and Stainless Steel versions of the product.

FNML Cap

O-Lok® ORFS Female swivel cap end
SAE 520112



Thread UN/UNF-2B T6	B mm	K mm	L mm	Weight (steel) g/1 piece	O-Lok® Steel	O-Lok® Stainless Steel	PN (bar)	
							S	SS
9/16-18	17	9	17	6	4 FNL-S	4FNMLSS	630	630
11/16-16	22	11	18	10	6FNMLS	6FNMLSS	630	630
13/16-16	24	12	22	11	8FNMLS	8FNMLSS	630	630
1-14	30	14	25	31	10 FNL-S	10FNMLSS	420	420
1 3/16-12	36	15	27	52	12FNMLS	12FNMLSS	420	420
1 7/16-12	41	16	29	81	16FNMLS	16FNMLSS	420	420
1 11/16-12	48	15	29	129	20 FNL-S	20FNMLSS	280	280
2-12	57	15	29	189	24 FNL-S	24FNMLSS	280	280
2 1/2-12	73	20	37	390	32 FNL-S		200	—

Part numbers shown are part of our current manufacturing programme.

Imperial and metric parts may vary in hexagon dimensions.

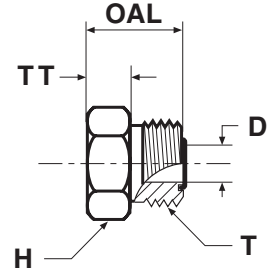
$$\frac{\text{PN (bar)}}{10} = \text{PN (MPa)}$$

Pressure ratings – PN shown, apply to Steel and Stainless Steel versions of the product.

J

PNMLO Plug

O-Lok® ORFS tube end plug
SAE 520109



Tube O.D.		Thread UN/UNF-2A T	D mm	H mm	OAL mm	TT mm	Weight (steel) g/1 piece	O-Lok® Steel	O-Lok® Stainless Steel	PN (bar)	
mm	in.									S	SS
6	1/4	9/16-18	5	16	17	5	18	4 PNLO-S	4PNMLOSS	630	630
8, 10	5/16, 3/8	11/16-16	7	19	19	8	34	6PNMLOS	6PNMLOSS	630	630
12	1/2	13/16-16	10	22	22	9	45	8PNMLOS	8PNMLOSS	630	630
14, 15, 16	5/8	1-14	13	27	26	10	91	10 PNLO-S	10PNMLOSS	420	420
18, 20	3/4	1 3/16-12	16	32	27	10	138	12 PNLO-S	12PNMLOSS	420	420
22, 25	1	1 7/16-12	21	38	28	10	203	16 PNLO-S	16PNMLOSS	420	420
28, 30, 32	1 1/4	1 11/16-12	26	45	28	10	266	20 PNLO-S	20PNMLOSS	420	280
35, 38	1 1/2	2-12	32	54	28	10	369	24 PNLO-S	24PNMLOSS	350	280
50	2	2 1/2-12	45	70	35	13	580	32 PNLO-S	32PNMLOSS	200	200

O-Lok® is delivered with NBR elastomeric seals as standard. For more details on other seal materials see page J73-J74.

Part numbers shown are part of our current manufacturing programme.

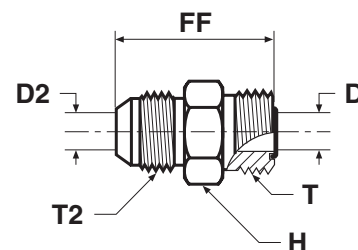
Imperial and metric parts may vary in hexagon dimensions.

$$\frac{\text{PN (bar)}}{10} = \text{PN (MPa)}$$

Pressure ratings – PN shown, apply to Steel and Stainless Steel versions of the product.

XHMLO Conversion union

Triple-Lok® 37° flare tube end / O-Lok® ORFS tube end



Tube O.D.		Thread UN/UNF-2A T	Thread UN/UNF-2A T2	D mm	D2 mm	FF mm	H mm	Weight (steel) g/1 piece	O-Lok® Steel	O-Lok® Stainless Steel	PN (bar)	
mm	in.										S	SS
6	1/4	9/16-18	7/16-20	5	5	32	16	29	4 XHLO-S	4XHMLOSS	500	350
8, 10	5/16, 3/8	11/16-16	9/16-18	7	7	34	19	45	6 XHLO-S	6XHMLOSS	420	350
12	1/2	13/16-16	3/4-16	10	10	39	22	70	8 XHLO-S	8XHMLOSS	420	350
14, 15, 16	5/8	1-14	7/8-14	13	13	47	27	119	10 XHLO-S	10XHMLOSS	350	350
18, 20	3/4	1 3/16-12	1 1/16-12	16	16	52	32	181	12 XHLO-S	12XHMLOSS	350	350
22, 25	1	1 7/16-12	1 5/16-12	21	21	55	38	265	16 XHLO-S	16XHMLOSS	280	280
28, 30, 32	1 1/4	1 11/16-12	1 5/8-12	26	26	58	45	383	20 XHLO-S	20XHMLOSS	280	210
35, 38	1 1/2	2-12	1 7/8-12	32	32	63	54	562	24 XHLO-S	24XHMLOSS	210	140

O-Lok® is delivered with NBR elastomeric seals as standard. For more details on other seal materials see page J73-J74.

Part numbers shown are part of our current manufacturing programme.

Imperial and metric parts may vary in hexagon dimensions.

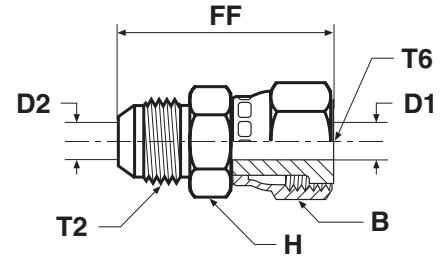
$$\frac{\text{PN (bar)}}{10} = \text{PN (MPa)}$$

Pressure ratings – PN shown, apply to Steel and Stainless Steel versions of the product.

J

XHML6 Conversion swivel nut connector

Triple-Lok® 37° flare tube end / O-Lok® ORFS female swivel end



Tube O.D.		Thread UN/UNF-2A T2	Thread UN/UNF-2B T6	B	D1	D2	FF	H	Weight (steel)	O-Lok® Steel	O-Lok® Stainless Steel	PN (bar)	
mm	in.			mm	mm	mm	mm	mm	g/1 piece			S	SS
6	1/4	7/16-20	9/16-18	17	4	4	38	16	29	4 XHL6-S	4XHML6SS	500	350
8, 10	5/16, 3/8	9/16-18	11/16-16	21	7	7	41	19	46	6 XHL6-S	6XHML6SS	420	350
12	1/2	3/4-16	13/16-16	24	9	9	48	22	73	8 XHL6-S	8XHML6SS	420	350
14, 15, 16	5/8	7/8-14	1-14	29	12	12	56	27	126	10 XHL6-S	10XHML6SS	350	350
18, 20	3/4	1 1/16-12	1 3/16-12	35	14	14	64	32	205	12 XHL6-S	12XHML6SS	350	350
22, 25	1	1 5/16-12	1 7/16-12	41	20	20	68	38	285	16 XHL6-S	16XHML6SS	280	280
28, 30, 32	1 1/4	1 5/8-12	1 11/16-12	48	26	26	71	43	623	20 XHL6-S	20XHML6SS	280	210

Part numbers shown are part of our current manufacturing programme.

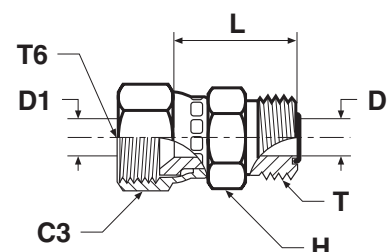
Imperial and metric parts may vary in hexagon dimensions.

$$\frac{PN \text{ (bar)}}{10} = PN \text{ (MPa)}$$

Pressure ratings – PN shown, apply to Steel and Stainless Steel versions of the product.

LOHMX6 Conversion swivel nut connector

Triple-Lok® 37 flare female swivel end / O-Lok® ORFS male end



Tube O.D.		Thread UN/UNF-2A T	Thread UN/UNF-2B T6	C3	D	D1	H	L	Weight (steel)	O-Lok® Steel	O-Lok® Stainless Steel	PN (bar)	
mm	in.			mm	mm	mm	mm	mm	g/1 piece			S	SS
6	1/4	9/16-18	7/16-20	14	5	5	16	26	26	4 LOHX6-S	4LOHMX6SS	500	350
8, 10	5/16, 3/8	11/16-16	9/16-18	18	7	7	19	29	40	6 LOHX6-S	6LOHMX6SS	350	350
12	1/2	13/16-16	3/4-16	22	10	10	22	34	63	8 LOHX6-S	8LOHMX6SS	350	350
14, 15, 16	5/8	1-14	7/8-14	25	13	13	27	39	103	10 LOHX6-S	10LOHMX6SS	350	350
18, 20	3/4	1 3/16-12	1 1/16-12	32	16	16	32	41	162	12 LOHX6-S	12LOHMX6SS	350	350
22, 25	1	1 7/16-12	1 5/16-12	38	21	21	38	46	229	16 LOHX6-S	16LOHMX6SS	250	250

O-Lok® is delivered with NBR elastomeric seals as standard. For more details on other seal materials see page J73–J74.

Part numbers shown are part of our current manufacturing programme.

Imperial and metric parts may vary in hexagon dimensions.

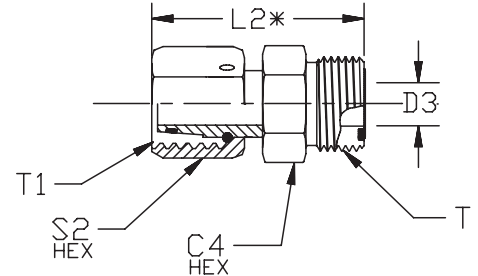
$$\frac{\text{PN (bar)}}{10} = \text{PN (MPa)}$$

Pressure ratings – PN shown, apply to Steel and Stainless Steel versions of the product.

J

LOHU86 EO swivel adapter

O-Lok® ORFS tube end / EO 24° DKO swivel



Tube O.D.		EO Swivel Size	Thread UN/UNF-2A T	Thread metric T1	C4 mm	D3 mm	L2 mm	S2 mm	Weight (steel) g/1 piece	O-Lok® Steel	PN (bar)
mm	in.										
6	1/4	6L	9/16-18	12×1.5	17	3	34	14	30	4-6L LOHU86-S	500
6	1/4	8L	9/16-18	14×1.5	17	4	34	17	50	4-8L LOHU86-S	500
10	3/8	10L	11/16-16	16×1.5	19	6	37	19	75	6-10L LOHU86-S	500
12	1/2	12L	13/16-16	18×1.5	22	8	39	22	145	8-12L LOHU86-S	400
16	5/8	15L	1-14	22×1.5	27	10	46	27	180	10-15L LOHU86-S	400
20	3/4	18L	1 3/16-12	26×1.5	32	13	48	32	250	12-18L LOHU86-S	400
25	1	22L	1 7/16-12	30×2	41	17	53	36	305	16-22L LOHU86-S	250
6	1/4	6S	9/16-18	14×1.5	17	3	34	17	30	4-6S LOHU86-S	630
6	1/4	8S	9/16-18	16×1.5	17	4	34	19	50	4-8S LOHU86-S	630
10	3/8	10S	11/16-16	18×1.5	19	5	37	22	75	6-10S LOHU86-S	630
12	1/2	12S	13/16-16	20×1.5	22	8	40	24	145	8-12S LOHU86-S	630
16	5/8	14S	1-14	22×1.5	27	9	47	27	180	10-14S LOHU86-S	420
16	5/8	16S	1-14	24×1.5	27	11	47	30	185	10-16S LOHU86-S	420
20	3/4	20S	1 3/16-12	30×2	32	14	52	36	260	12-20S LOHU86-S	420
25	1	25S	1 7/16-12	36×2	41	18	55	46	308	16-25S LOHU86-S	420

O-Lok® is delivered with NBR elastomeric seals as standard. For more details on other seal materials see page J73–J74.

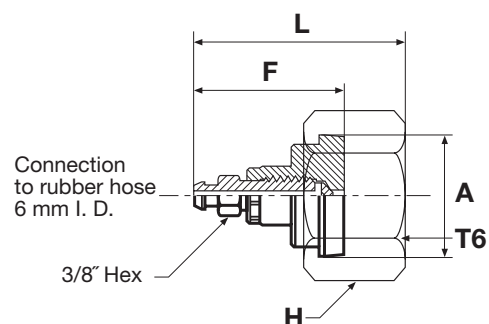
Part numbers shown are part of our current manufacturing programme.

Imperial and metric parts may vary in hexagon dimensions.

$$\frac{\text{PN (bar)}}{10} = \text{PN (MPa)}$$

FNLBA Bleed adaptor

O-Lok® ORFS female end



Thread UN/UNF-2B T6	A (mm)	F (mm)	H (mm)	L (mm)	Weight (steel) g/1 piece	O-Lok®		PN (bar)	
						Steel	Stainless Steel	S	SS
13/16-16	19	41	24	53	49	8 FNLBA-S	8 FNLBA-SS	420	420
1-14	23	41	30	55	77	10 FNLBA-S	10 FNLBA-SS	420	420
1 3/16-12	27	41	36	56	111	12 FNLBA-S	12 FNLBA-SS	420	420
1 7/16-12	33	41	41	56	113	16 FNLBA-S	16 FNLBA-SS	420	420
1 11/16-12	40	41	50	56	151	20 FNLBA-S	20 FNLBA-SS	280	280
2-12	48	41	60	56	161	24 FNLBA-S	24 FNLBA-SS	280	280

Part numbers shown are part of our current manufacturing programme.

Imperial and metric parts may vary in hexagon dimensions.

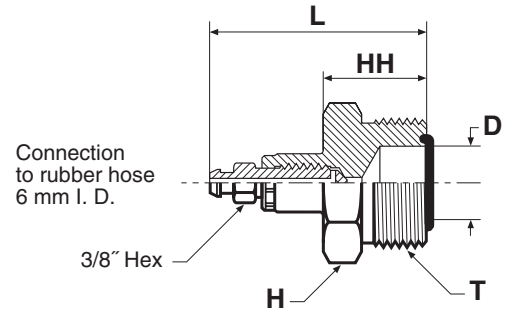
$$\frac{\text{PN (bar)}}{10} = \text{PN (MPa)}$$

Pressure ratings – PN shown, apply to Steel and Stainless Steel versions of the product.

J

PNLOBA Bleed adaptor

O-Lok® ORFS female end



Tube O.D.		Thread UN/UNF-2A T	D mm	H mm	HH mm	L mm	Weight (steel) g/1 piece	O-Lok® Steel	PN (bar)
mm	in.								
6	1/4	9/16-18	5	17	20	48	57	4 PNLOBA-S	420
8, 10	5/16, 3/8	11/16-16	7	19	22	50	64	6 PNLOBA-S	420
12	1/2	13/16-16	10	22	23	53	93	8 PNLOBA-S	420
14, 15, 16	5/8	1-14	13	27	26	56	127	10 PNLOBA-S	420
18, 20	3/4	1.3/16-12	16	32	27	58	220	12 PNLOBA-S	420
22, 25	1	1.7/16-12	21	38	28	60	266	16 PNLOBA-S	420
28, 30, 32	1 1/4	1.11/16-12	26	45	28	61	304	20 PNLOBA-S	280
35, 38	1 1/2	2-12	32	54	28	63	422	24 PNLOBA-S	280

O-Lok® is delivered with NBR elastomeric seals as standard. For more details on other seal materials see page J73-J74.

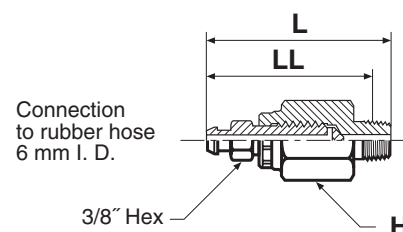
Part numbers shown are part of our current manufacturing programme.

Imperial and metric parts may vary in hexagon dimensions.

$$\frac{\text{PN (bar)}}{10} = \text{PN (MPa)}$$

HPBA Bleed adaptor

Bleed hose connection / Male NPTF thread (SAE J476)



Thread NPTF	H mm	L mm	LL mm	O-Lok® Steel	PN (bar)
1/4-18	18	56	47	1/4 HPBA-S	420

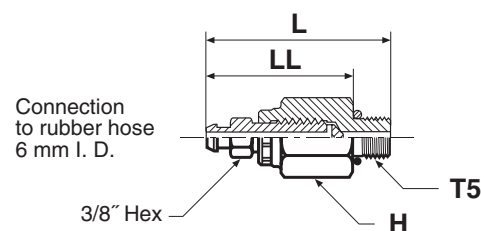
Imperial and metric parts may vary in hexagon dimensions.

$$\frac{\text{PN (bar)}}{10} = \text{PN (MPa)}$$

J

P5ONBA Bleed adaptor

Bleed hose connection/Male UN/UNF thread – O-ring (ISO 11926)



Thread UN/UNF-2A T5	H mm	L mm	LL mm	O-Lok® Steel	PN (bar)
7/16-20	18	52	41	4 P5ONBA-S	420

O-Lok® is delivered with NBR elastomeric seals as standard. For more details on other seal materials see page J73-J74.

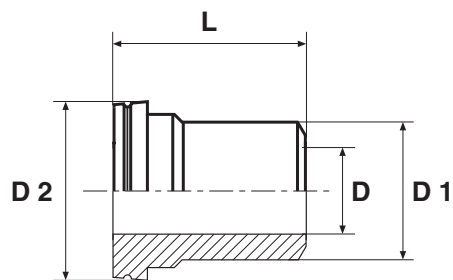
Part numbers shown are part of our current manufacturing programme.

Imperial and metric parts may vary in hexagon dimensions.

$$\frac{\text{PN (bar)}}{10} = \text{PN (MPa)}$$

TW3L Weld nipple

O-Lok® ORFS female end / Butt weld end

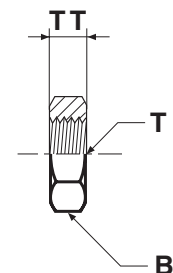


Tube O.D. mm	D mm	D1 mm	D2 mm	L mm	Weight (steel) g/1 piece	O-Lok® Steel	O-Lok® Stainless Steel
6	2	6	13	25	10	TW3LS6	TW3LSS6
8	3	8	13	25	12	TW3LS8	TW3LSS8
10	4	10	16	26	15	TW3LS10	TW3LSS10
12	5	12	19	26	18	TW3LS12	TW3LSS12
16	10	16	23	32	25	TW3LS16	TW3LSS16
20	13	20	28	37	30	TW3LS20	TW3LSS20
25	16	25	34	42	37	TW3LS25	TW3LSS25
30	22	30	41	44	43	TW3LS30	TW3LSS30
38	28	38	48	49	70	TW3LS38	TW3LSS38

Part numbers shown are part of our current manufacturing programme.

WLNML Bulkhead locknut

SAE 520118/SAE 52M0118 ISO 8434-3 BHLN

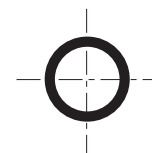


Thread UN/UNF-2B T	B mm	TT mm	Weight (steel) g/1 piece	O-Lok® Steel	O-Lok® Stainless Steel
9/16-18	22	7	11	4WLNMLS	4WLNMLSS
11/16-16	27	8	23	6WLNMLS	6WLNMLSS
13/16-16	30	9	26	8WLNMLS	8WLNMLSS
1-14	36	11	38	10WLNMLS	10WLNMLSS
1 3/16-12	41	11	44	12WLNMLS	12WLNMLSS
1 7/16-12	46	11	54	16WLNMLS	16WLNMLSS
1 11/16-12	51	10	73	20 WLNLS	20WLNMLSS
2-12	60	10	102	24 WLNLS	24WLNMLSS

Part numbers shown are part of our current manufacturing programme.

Imperial and metric parts may vary in hexagon dimensions.

Spare parts guide – O-Lok® retaining rings and seals



Face seal end O-rings SAE J1453/ISO 8434-3

Dash size	Thread UN/UNF	O-ring order code		O-ring ID × section mm
		NBR	FKM	
4	9/16-18	2-011-N552-9	2-011-V894-9	7.65 × 1.78
6	11/16-16	2-012-N552-9	2-012-V894-9	9.25 × 1.78
8	13/16-16	2-014-N552-9	2-014-V894-9	12.42 × 1.78
10	1-14	2-016-N552-9	2-016-V894-9	15.60 × 1.78
12	1 3/16-12	2-018-N552-9	2-018-V894-9	18.77 × 1.78
16	1 7/16-12	2-021-N552-9	2-021-V894-9	23.52 × 1.78
20	1 11/16-12	2-025-N552-9	2-025-V894-9	29.87 × 1.78
24	2-12	2-029-N552-9	2-029-V894-9	37.82 × 1.78
32	2 1/2-12	2-135-N552-9	2-135-V894-9	48.90 × 2.62

BSPP male threads – ISO 1179

Thread BSPP	ED seal order code		O-ring order code*		O-ring ID × section mm	Retainer ring Order code Steel	Retainer ring Order code Stainless Steel
	NBR	FKM	NBR	FKM			
1/8	ED10X1X	ED10X1VITX	6-002-N552-9	6-002-V894-9	8.00 × 2.00	8207-1/8	8207SS1/8
1/4	ED14X1.5X	ED14X1.5VITX	2-111-N552-9	2-111-V894-9	10.77 × 2.62	8207-1/4	8207SS1/4A
3/8	ED3/8X	ED3/8VITX	2-113-N552-9	2-113-V894-9	13.94 × 2.62	8207-3/8	8207SS3/8A
1/2	ED1/2X	ED1/2VITX	5-256-N552-9	5-256-V894-9	17.96 × 2.62	8207-1/2	8207SS1/2
3/4	ED26X1.5X	ED26X1.5VITX	2-119-N552-9	2-119-V894-9	23.47 × 2.62	8207-3/4	8207SS3/4
1	ED33X2X	ED33X2VITX	2-217-N552-9	2-217-V894-9	29.74 × 3.53	8207-1	8207SS1A
1 1/4	ED42X2X	ED42X2VITX	2-222-N552-9	2-222-V894-9	37.69 × 3.53	8207-1-1/4	8207SS1 1/4
1 1/2	ED48X2X	ED48X2VITX	2-224-N552-9	2-224-V894-9	44.04 × 3.53	8207-1-1/2	8207SS1 1/2

Typical fittings using these parts: F42EDMLO/C4OMLO/V4OMLO etc.

*Must be used with correct retainer ring.

Metric male threads – ISO 9974

Thread metric	ED seal order code		O-ring order code*		O-ring ID × section mm	Retainer ring Order code Steel	Retainer ring Order code Stainless Steel
	NBR	FKM	NBR	FKM			
M10×1	ED10X1/R1/8	ED10X1R1/8VIT	6-074-N552-9	6-074-V894-9	8.00 × 1.50	M10RR	RRM10X1.5SS
M12×1.5	ED12X1.5	ED14X1.5/VIT	2-012-N552-9	2-012-V894-9	9.25 × 1.78	M12RR	RRM12X1.5SS
M14×1.5	ED14X1.5/R1/4	ED14X1.5/R1/4VIT	2-013-N552-9	2-013-V894-9	10.82 × 1.78	M14RR	RRM14X1.5SS
M16×1.5	ED16X1.5	ED16X1.5/VIT	3-907-N552-9	3-907-V894-9	13.46 × 2.08	M16RR	RRM16X1.5SS
M18×1.5	ED18X1.5	ED18X1.5/VIT	2-114-N552-9	2-114-V894-9	15.54 × 2.62	M18RR	RRM18X1.5SS
M22×1.5	ED22X1.5	ED22X1.5VIT	2-018-N552-9	2-018-V894-9	18.77 × 1.78	M22RR	RRM22X1.5SS
M27×2	ED26X1.5X**	ED26X1.5VITX	2-119-N552-9	2-119-V894-9	23.47 × 2.62	M27RR	RRM27X2SS
M33×2	ED33X2R1	ED33X2/R1VIT	2-122-N552-9	2-122-V894-9	28.24 × 2.62	M33RR	RRM33X2SS
M42×2	ED42X2/R1.1/4	ED42X2R1.1/4VIT	2-128-N552-9	2-128-V894-9	37.77 × 2.62	M42RR	RRM42X2SS
M48×2	ED48X2/R1.1/2	ED48X2R1.1/2VIT	2-132-N552-9	2-132-V894-9	44.12 × 2.62	M48RR	RRM48X2SS

Typical fittings using these parts: F82EDMLO/C8OMLO/V8OMLO etc.

*Must be used with correct retainer ring.

**Same seal used for M26×1.5 and M27×2

Spare parts guide – O-Lok® retaining rings and seals



UN / UNF male threads – ISO 11926

Dash size	Thread UN/UNF	O-ring order code		O-ring ID × section mm
		NBR	FKM	
2	5/16-24	3-902-N552-9	3-902-V894-9	6.07 × 1.63
3	3/8-24	3-903-N552-9	3-903-V894-9	7.65 × 1.63
4	7/16-20	3-904-N552-9	3-904-V894-9	8.92 × 1.83
5	1/2-20	3-905-N552-9	3-905-V894-9	10.52 × 1.83
6	9/16-18	3-906-N552-9	3-906-V894-9	11.89 × 1.98
8	3/4-16	3-908-N552-9	3-908-V894-9	16.36 × 2.21
10	7/8-14	3-910-N552-9	3-910-V894-9	19.18 × 2.46
12	1 1/16-12	3-912-N552-9	3-912-V894-9	23.47 × 2.95
14	1 3/16-12	3-914-N552-9	3-914-V894-9	26.59 × 2.95
16	1 5/16-12	3-916-N552-9	3-916-V894-9	29.74 × 2.95
20	1 5/8-12	3-920-N552-9	3-920-V894-9	37.47 × 3.00
24	1 7/8-12	3-924-N552-9	3-924-V894-9	43.69 × 3.00
32	2 1/2-12	3-932-N552-9	3-932-V894-9	59.36 × 3.00

Typical fittings using these parts: F5OMLO/C5OMLO/R5OMLO etc.

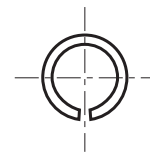
Metric male threads – ISO 6149

Thread metric	O-ring order code		O-ring ID × section (mm)
	NBR	FKM	
M10×1	6-345-N552-9	6-345-V894-9	8.20 × 1.50
M12×1.5	6-346-N552-9	6-346-V894-9	9.40 × 2.10
M14×1.5	6-347-N552-9	6-347-V894-9	11.40 × 2.10
M16×1.5	6-348-N552-9	6-348-V894-9	13.40 × 2.10
M18×1.5	6-349-N552-9	6-349-V894-9	15.40 × 2.10
M22×1.5	6-350-N552-9	6-350-V894-9	19.40 × 2.10
M27×2	6-351-N552-9	6-351-V894-9	23.70 × 2.80
M33×2	6-352-N552-9	6-352-V894-9	29.70 × 2.80
M42×2	6-353-N552-9	6-353-V894-9	38.70 × 2.80
M48×2	6-354-N552-9	6-354-V894-9	46.70 × 2.80

Typical fittings using these parts: F87OMLO/S87OMLO etc.

Other seal compounds available on request for alternative applications.

SBR Braze ring



For metric tubing

Tube O.D. mm	Order code
6	SBR 6
8	SBR 8
10	SBR 10
12	SBR 12
14	SBR 14
15	SBR 15
16	SBR 16
18	SBR 18
20	SBR 20
22	SBR 22
25	SBR 25
28	SBR 28
30	SBR 30
32	SBR 32
35	SBR 35
38	SBR 38
50	SBR 50

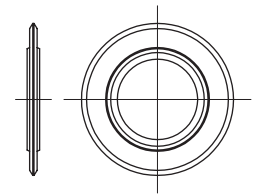
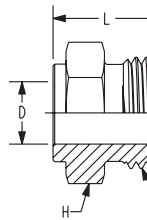
For inch tubing

Tube O.D. in.	Order code
1/4	4SBR
3/8	6SBR
1/2	8SBR
5/8	10SBR
3/4	12SBR
1	16SBR
1 1/4	20SBR
1 1/2	24SBR
2	32SBR

Part numbers shown are part of our current manufacturing programme.

J

Flange-Seal components



Flange-Seal fitting
LHP

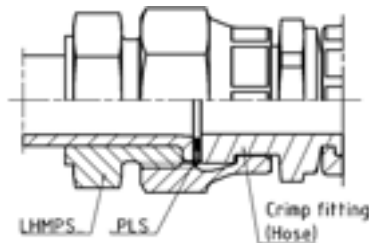
Tube O.D. mm	Thread T UN/UNF-2A	H mm	L mm	Weight (steel) g/1 piece	Order code
1/4	9/16-18	16	15.0	15	4 LHP-S
3/8	11/16-16	19	17.5	22	6 LHP-S
1/2	13/16-16	22	20.0	33	8 LHP-S
5/8	1-14	27	24.0	59	10 LHP-S
3/4	1 3/16-12	32	25.5	85	12 LHP-S

Bonded Seal element
PLS

Fitting dash size	Tube O.D. mm	Tube O.D. inch	I.D. mm	W mm	Weight (steel) g/1 piece	Seal Order code
4	6	1/4	6	2	1	4 PL-S N0702
6	8.10	3/8	9	2	1	6 PL-S N0702
8	12	1/2	12	2	1	8 PL-S N0702
10	16	5/8	16	2	2	10 PL-S N0702
12	20	3/4	20	2	2	12 PL-S N0702

Tube O.D. mm	Thread T UN/UNF-2A	H mm	L mm	Weight (steel) g/1 piece	Order code
6	9/16-18	17	15.0	15	LHMPS6
8	11/16-16	17	17.5	25	LHMPS8
10	11/16-16	19	17.5	22	LHMPS10
12	13/16-16	22	20.0	33	LHMPS12
16	1-14	27	24.0	59	LHMPS16
20	1 3/16-12	32	25.5	85	LHMPS20

Pressure ratings and tube limitations

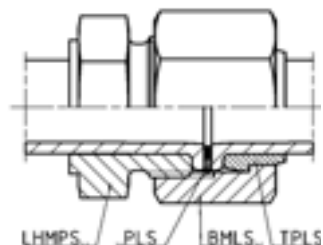


Tube to hose

Order code	Dash size	Tube O.D. mm	max. wall thickness tube to hose	PN
LHMPS6	4	6	1.5	420
LHMPS8	6	8	2.0	420
LHMPS10	6	10	2.0	420
LHMPS12	8	12	2.5	420
LHMPS16	10	16	3.0	420
LHMPS20	12	20	3.5	420

Tube to hose

Order code	Dash size	Tube O.D. inch	max. wall thickness tube to hose	PN
4 LHP-S	4	1/4	0.065	420
6 LHP-S	6	3/8	0.095	420
9 LHP-S	8	1/2	0.095	420
10 LHP-S	10	5/8	0.120	420
12 LHP-S	12	3/4	0.134	420



Tube to tube

Order code	Dash size	Tube O.D. mm	max. wall thckn. Tube to tube	Example PN for St 37 NBK*
LHMPS6	4	6	1.0	370
LHMPS8	6	8	1.5	410
LHMPS10	6	10	1.5	360
LHMPS12	8	12	2.0	390
LHMPS16	10	16	2.0	300
LHMPS20	12	20	2.5	300

Tube to tube

Order code	Dash size	Tube O.D. inch	max. wall thckn. Tube to tube	Example PN for St 37 NBK*
4 LHP-S	4	1/4	0.049	400
6 LHP-S	6	3/8	0.065	345
8 LHP-S	8	1/2	0.095	385
10 LHP-S	10	5/8	0.120	385
12 LHP-S	12	3/4	0.120	320

*For higher strenght tube, connection PN may be increased to maximum shown in Tube to hose table 420 bar.